

# ART 40P Tee Handle

## PN40 Brass Ball Valve

### Complete with Tee Handle



#### Features

- Screwed BSP Parallel (ISO 228/1)
- Anti-blow-out stem
- Full bore
- Tee Handle available in red, yellow, and blue
- Standard lever, locking lever and thermal extensions (1/2" to 2" only) options also available

EN331



GAS APPROVED



#### Technical data

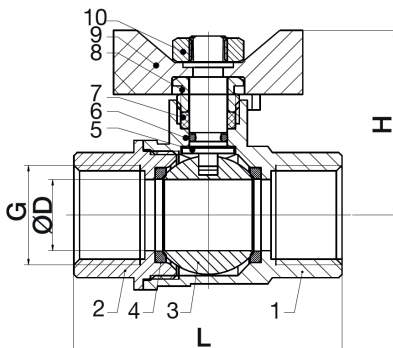
Max pressure: 1/2" - 2" 40 Bar

Working temp: -20°C to +140°C

#### Technical data - Gas distribution

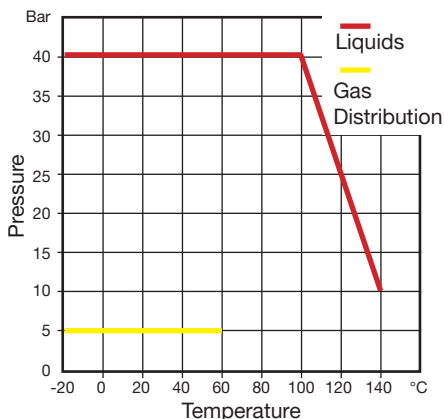
Max pressure: 1/2" - 2" 5 Bar

Working temp: -20°C to +60°C



DN	1/4"	3/8"	1/2"	3/4"	1"
G	1/4"	3/8"	1/2"	3/4"	1"
D	10.0	10.0	14.5	19.0	24.5
L	45.0	45.0	56.5	67.0	77.0
H	32	32	40	43	50
Kv	8	10	16	30	48
Kgs	0.14	0.14	0.20	0.26	0.41

N.	Part Name	Materials
1	Body	Brass / Nickel Plated CW617N
2	Bonnet	Brass / Nickel Plated CW617N
3	Ball	Brass / Chrome Plated CW617N
4	Ball Seat	PTFE
5	O-Ring	NBR
6	Packing	PTFE
7	Stem	Brass
8	Lock Nut	Brass
9	Handle	Aluminium Alloy
10	Nut	Carbon Steel A3



V1 Dimensions in mm

This data sheet is designed as a guide and should not be regarded as wholly accurate in every detail. We reserve the right to amend the specification of any product without notice.