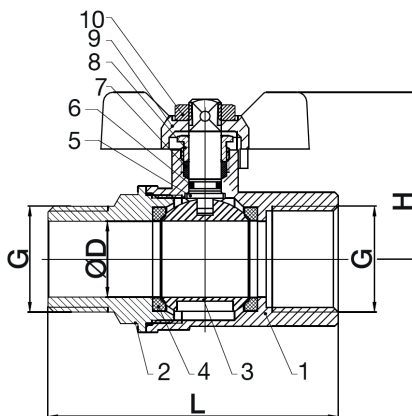


# ART 41 Tee Handle PN40 Brass Ball Valve complete with Tee Handle



## Features

- Screwed BSP Parallel M/F Ends (ISO 228/1)
- Anti-blow-out stem
- Full bore
- Tee Handle available in red and blue
- Standard lever, Locking lever and thermal extension options available



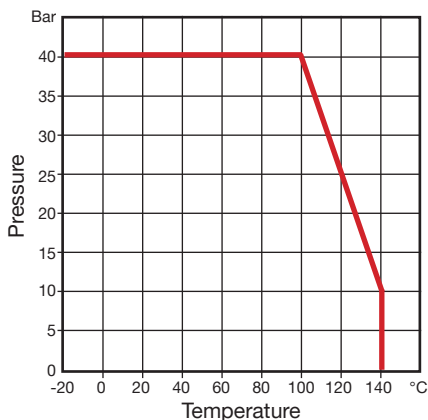
## Technical data

Max pressure: 40 Bar

Working temp: -20°C to +140°C

DN	1/4"	3/8"	1/2"	3/4"	1"
G	1/4"	3/8"	1/2"	3/4"	1"
D	10.0	10.0	14.5	19.0	24.5
L	52.0	52.0	65.0	72.5	82.0
H	32	32	40	43	50
Kv	5.9	9.4	17.0	41.0	70.0
Kgs	0.15	0.14	0.23	0.32	0.48

N.	Part Name	Materials
1	Body	Brass CW617N
2	Bonnet	Brass CW617N
3	Ball	Brass CW617N
4	Ball Seat	PTFE
5	O-Ring	NBR
6	Packing	PTFE
7	Stem	Brass Hpb59
8	Lock Nut	Brass Hpb59
9	Handle	Aluminium Alloy
10	Nut	Steel #201



V1. Dimensions in mm

This data sheet is designed as a guide and should not be regarded as wholly accurate in every detail. We reserve the right to amend the specification of any product without notice.