

# ART GSV 1/2" - 1"

## Automatic Gas Solenoid Valve



EN161



GAS APPROVED

### Technical data

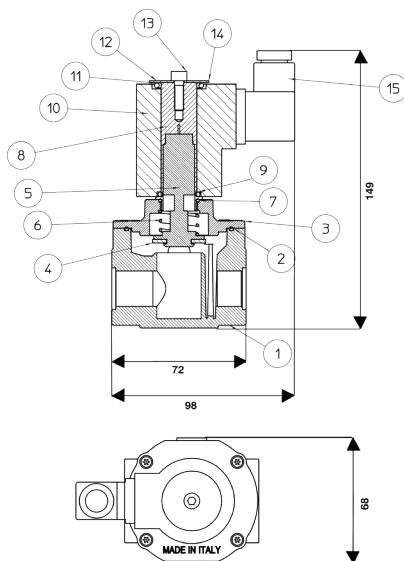
Max pressure: 360 mbar  
 Working temp: -20°C to +60°C

### Technical Features

Opening time	<1 second
Closing time	<1 second
Max number of operations	20 per minute
Supply Voltage	230VAC, 110VAC, 24VAC, 24VDC
Power	15VA
Test point	Coils to class F 3 connections Screw 1/4" NPT
Protection degree	IP65
Weight	1/2" - 0.8kgs. 3/4" - 0.8kgs. 1" - 0.8kgs.

### Features

- Screwed BSP Parallel (ISO 228/1)
- Gas family 123 and air
- Complies with PED 2014/68/EU
- Fail safe closed
- Automatic reset
- Other voltages available on request



N.	Part Name	Materials
1	Body	Aluminium Alloy
2	O-Ring	NBR
3	Cover	Aluminium Alloy
4	Gasket	NBR
5	Plunger	Steel - Brass
6	Spring	Stainless Steel 304
7	O-Ring	NBR
8	Pilot	Steel - Brass
9	O-Ring	NBR
10	Coil	Steel - Nylon - Copper
11	O-Ring	NBR
12	Washer	NBR
13	Screw	Steel
14	Washer	Stainless Steel
15	Connector	Nylon

V2 Dimensions in mm

This data sheet is designed as a guide and should not be regarded as wholly accurate in every detail. We reserve the right to amend the specification of any product without notice.