

ART GSV 1¼" - 2"

Automatic Gas Solenoid Valve



EN161



GAS APPROVED

Technical data

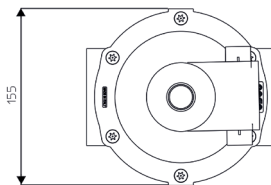
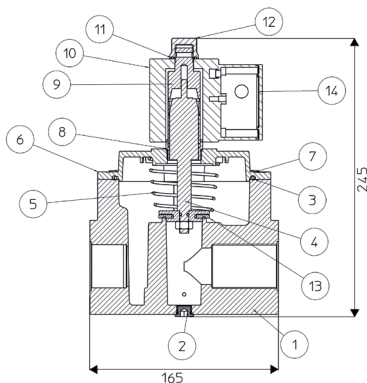
Max pressure: 360 mbar
Working temp: -20°C to +60°C

Technical Features

Opening time	<1 second
Closing time	<1 second
Max number of operations	20 per minute
Supply Voltage	230VAC, 110VAC
Power	37W
Test point	Coils to class F 5 connections Screw ¼" NPT
Protection degree	IP65
Weight	1¼" - 4kgs. 1½" - 4kgs. 2" - 4.6kgs.

Features

- Screwed BSP Parallel (ISO 228/1)
- Gas family 123 and air
- Complies with PED 2014/68/EU
- Fail safe closed
- Automatic reset



N.	Part Name	Materials
1	Body	Aluminium Alloy
2	Screw Plugs	Aluminium Alloy
3	O-Ring	NBR
4	Plunger	Steel - Brass
5	Spring	Stainless Steel
6	Cover	Aluminium Alloy
7	Screw	Steel
8	O-Ring	NBR
9	Pilot	Steel - Brass
10	Coil	Steel - Nylon - Copper
11	O-Ring	NBR
12	Locking Ring	Aluminium Alloy
13	Gasket	NBR
14	Connector	Nylon