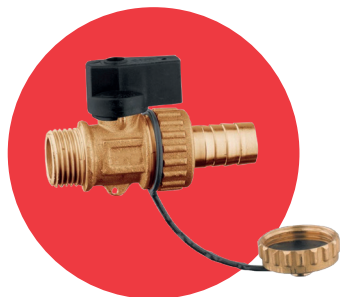


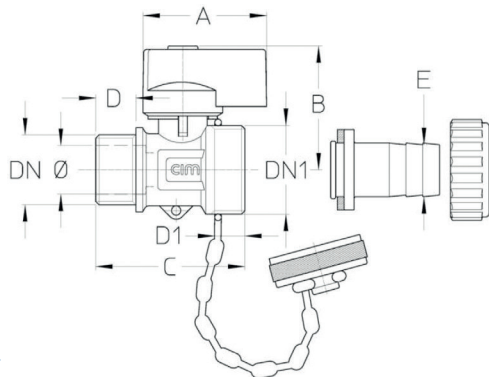
ART 11

Drain Ball Valve



Features

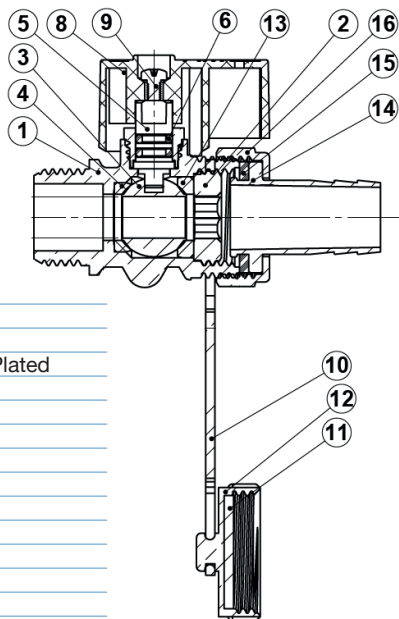
- Screwed BSP Parallel Male Ends (ISO 228/1) x Hose Connection
- Tested to EN12266-1
- 5 Year Guarantee



Technical data

Nominal pressure: 16 Bar
 Max. Pressure: 20 Bar (0°C to 40°C)
 Working temp: -20°C to +90°C

DN	1/2" x 3/4"
Ømm	9
A	37
B	35
C	44.5
D	12
D1	10.5
E	16
CM	1.5
CS	2
MT	9
Kv	4
Kgs	0.2



N.	Part Name	Materials
1	Body	Brass CW617N
2	Ring Nut	Brass CW617N
3	Ball	Brass CW617N Chrome Plated
4	Ball Gasket	PTFE
5	Stem	Brass CW617N
6	Stem Gaskets O-Ring	NBR 70SH
7	Cap	Brass CW617N
8	Handle	Nylon 6
9	Screw	Stainless Steel 304
10	Lace	Rubber
11	Gasket	SBR 70SH
12	Plug	Brass CW617N
13	Ball Gaskets	PTFE
14	Hose Union	Brass CW617N-M
15	Gasket	SBR 70SH
16	Ring Nut	Brass CW617N

CM - Operating torque in Nm. CS - Starting torque in Nm. MT - Stem breaking torque in Nm.

V1. Dimensions in mm

This data sheet is designed as a guide and should not be regarded as wholly accurate in every detail. We reserve the right to amend the specification of any product without notice.

