

ART 236

PN16 Ductile Iron Flanged Double Check Valve



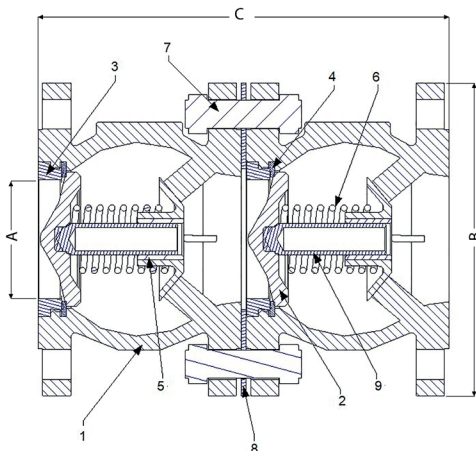
Features

- Flange mounting PN16 only (EN1092-2)
- Operates in any position
- Epoxy coat finish
- WRAS approved as a non-return valve



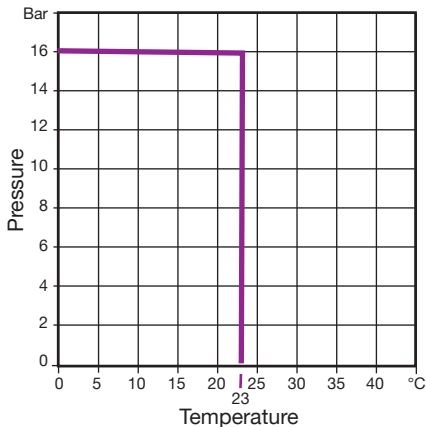
Technical data

Max pressure: 16 Bar
Working temp: -10°C to +23°C



| DN | 50 | 65 | 80 | 100 | 125 | 150 |
|-----|-----|------|------|------|------|------|
| A | 50 | 65 | 80 | 100 | 125 | 150 |
| B | 165 | 185 | 200 | 220 | 250 | 285 |
| C | 205 | 245 | 265 | 315 | 405 | 465 |
| Kv | 72 | 135 | 185 | 340 | 515 | 725 |
| Kgs | 12 | 16.2 | 17.2 | 25.0 | 40.0 | 60.0 |

| N. | Part Name | Materials |
|----|---------------|-------------------------------|
| 1 | Body | Ductile Iron SG 420/12 |
| 2 | Plunger Top | Delrin 150 |
| 3 | Sealing Ring | Delrin 150 |
| 4 | Seal | Nitrile 70 Shore |
| 5 | Guide Bush | Cz132 DZR Brass |
| 6 | Spring | Stainless Steel Grade 304 S26 |
| 7 | Studs | Mild Steel (Plated) |
| 8 | Gasket | Nitrile 70 Shore |
| 9 | Plunger Shaft | Cz132 DZR Brass |



V1. Dimensions in mm

This data sheet is designed as a guide and should not be regarded as wholly accurate in every detail. We reserve the right to amend the specification of any product without notice.