



Press Valves

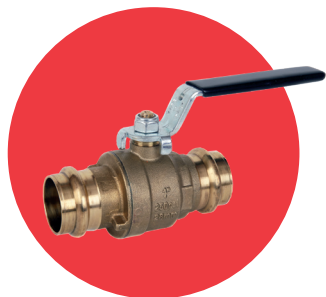
Issue 01



It's all at Albion

ART 55 PRS

DZR Brass Press Ball Valve



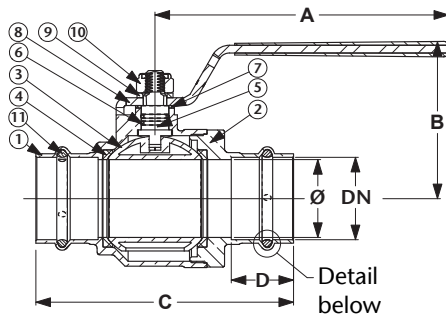
Features

- Universal M & V Press 15mm to 35mm
- Dedicated M & V Profiles 42mm & 54mm (See diagram)
- Full Bore
- Thermal extension available
- 5 year warranty
- Suitable for cold pressure connection to stainless steel, copper and carbon steel pipes



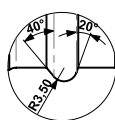
Technical data

Max pressure:	DN15	24 Bar
	DN22 & DN28	20 Bar
	DN35 - DN54	17 Bar
Working temp:	-20°C to 140°C	

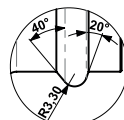


DN	15	22	28	35	42	54
A	90	90	110	110	150	150
B	47	52	57	66	81	88
C (M press)	78	91	99	107	133	155
C (V press)	78	91	99	107	133	163
D (M Press)	22	25	27	27	32	33
D (V Press)	22	25	27	27	32	37
Kv	17	41	68	123	198	290
Kgs	0.19	0.31	0.49	0.72	1.17	1.66(M) 1.75 (V)

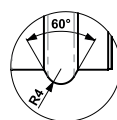
'M' Press (DN42)



'M' Press (DN54)

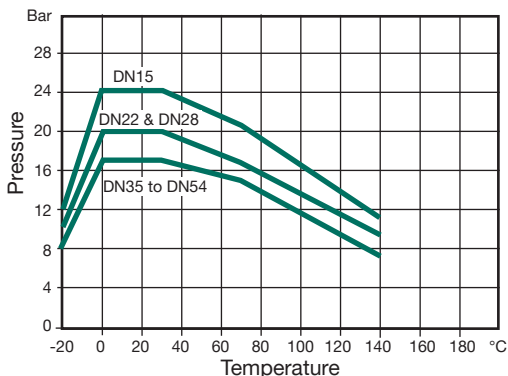


'V' Press (DN42+54)



NB: Sizes 15mm to 35mm can be pressed with both 'M' and 'V' press jaws. Always use the appropriate 'M' or 'V' press sling to press sizes 42mm and 54mm.

N.	Part Name	Materials
1	Body	DZR Brass CW511L-DW
2	Screwed End	DZR Brass CW511L-DW
3	Ball	Brass Chrome Plated
4	Ball Gaskets	PTFE
5	Stem	Brass
6	O-Ring	FKM 70 SH
7	Anti-Friction Ring	PTFE
8	Handle	Steel
9	Washer	Brass
10	Self-Locking Nut	Steel
11	O-Ring	EPDM 70 PEROX



V1. Dimensions in mm

This data sheet is designed as a guide and should not be regarded as wholly accurate in every detail. We reserve the right to amend the specification of any product without notice.

ART 22 PRS

DZR Fixed Orifice Double Regulating Valve (FODRV)



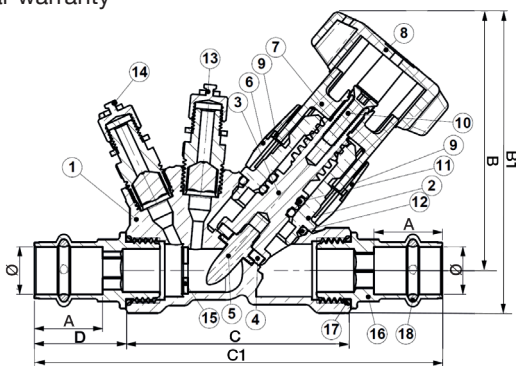
Features

- Universal M & V Profile with 15mm to 35mm
- Dedicated M Profile 42mm & 54mm
- Handwheel with shut off function and clear 360° reading
- Fixed orifice with $\pm 5\%$ flow measurement accuracy
- Conforms to BS 5154
- 5 year warranty

Technical data

Max pressure: DN15 24 Bar
 DN22 & DN28 20 Bar
 DN35 to DN54 17 Bar

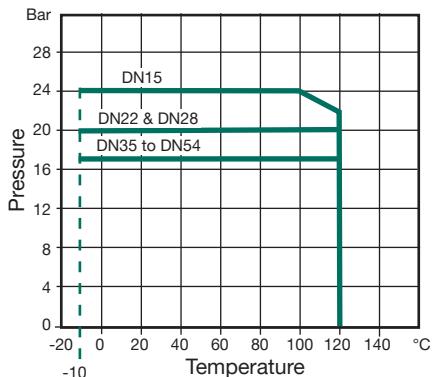
Working temp: -10°C to 120°C



DN	15L	15ML	15	22	28	35	42	54
Ø	15.3	15.3	15.3	22.4	28.3	35.3	42.4	55.6
A	22	22	22	25	27	27	32	33
B	83.4	83.4	83.4	82.2	84.2	86.9	106.7	103.6
B1	97.1	97.1	97.1	99.5	104.4	111.9	136.2	138.6
C	72.5	72.5	72.5	82	95	122	138	161
C1	131.5	131.5	131.5	150	167	194	223	255
D	29.5	29.5	29.5	34	36	36	42.5	47
Kv	0.533	0.738	2.00	3.88	7.28	13.39	18.60	30.10
Kvs	0.6	1.1	2.3	5.3	9.2	19.0	22.1	42.3
Kqs	0.48	0.48	0.46	0.56	0.73	1.16	1.73	2.05

N.	Part Name	Materials
1	Body	DZR Brass CW602N-M
2	Bonnet	DZR Brass CW602N-M
3	Stem for Shutter	DZR Brass CW602N-M
4	Shutter Gasket	EPDM
5	Disc	DZR Brass CW602N-M
6	Fixed Index	POM
7	Entrainer	Nylon 6
8	Knob	Nylon 6
9	1/10 Turn Index	POM
10	Memory Screw	Steel
11	Stem O-Ring	EPDM
12	Bonnet O-Ring	EPDM
13	Outlet Binder Point	Brass
14	Inlet Binder Point	Brass
15	Fixed Orifice	DZR Brass CW602N-M
16	Joint	DZR Brass CW511L-DW

N.	Part Name	Materials
17	O-Ring	EPDM
18	O-Ring	EPDM



V1. Dimensions in mm

This data sheet is designed as a guide and should not be regarded as wholly accurate in every detail. We reserve the right to amend the specification of any product without notice.

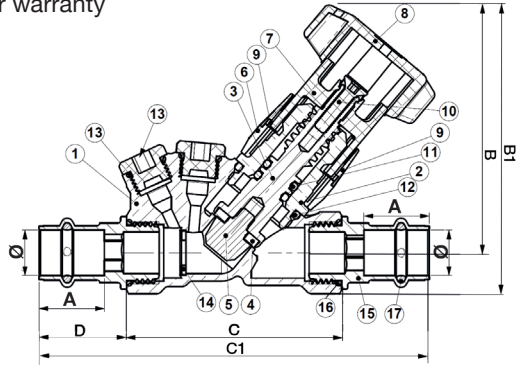
ART 23 PRS

DZR Double Regulating Valve (DRV)



Features

- Universal M & V Profile with 15mm to 35mm
- Dedicated M Profile 42mm & 54mm
- Handwheel with shut off function and clear 360° reading
- Conforms to BS 5154
- 5 year warranty



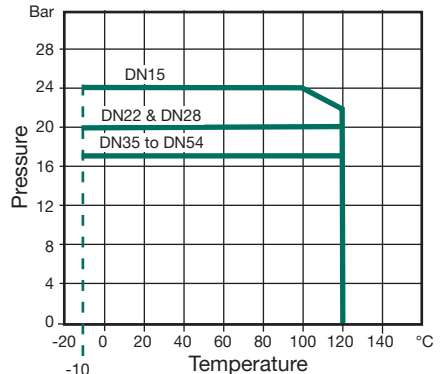
Technical data

Max pressure: DN15 24 Bar
 DN22 & DN28 20 Bar
 DN35 to DN54 17 Bar

Working temp: -10°C to 120°C

DN	15L	15	22	28	35	42	54
Ø	15.3	15.3	22.4	28.3	35.3	42.4	55.6
A	22	22	25	27	27	32	33
B	83.4	83.4	82.2	84.2	86.9	106.7	103.6
B1	97.1	97.1	99.5	104.4	111.9	136.2	138.6
C	72.5	72.5	82	95	122	138	161
C1	131.5	131.5	150	167	194	223	255
D	29.5	29.5	34	36	36	42.5	47
Kv	0.533	2.00	3.88	7.28	13.39	18.60	30.10
Kgs	0.45	0.46	0.55	0.72	1.15	1.71	2.03

N.	Part Name	Materials
1	Body	DZR Brass CW602N-M
2	Bonnet	DZR Brass CW602N-M
3	Stem for Shutter	DZR Brass CW602N-M
4	Shutter Gasket	EPDM
5	Disc	DZR Brass CW602N-M
6	Fixed Index	POM
7	Entrainer	Nylon 6
8	Knob	Nylon 6
9	1/10 Turn Index	POM
10	Memory Screw	Steel
11	Stem O-Ring	EPDM
12	Bonnet O-Ring	EPDM
13	Plug with O-Ring NBR	Nylon 6.6 / NBR 70SH
14	Fixed Orifice	DZR Brass CW602N-M
15	Joint	DZR Brass CW511L-DW
16	O-Ring	EPDM
17	O-Ring	EPDM



V1. Dimensions in mm

This data sheet is designed as a guide and should not be regarded as wholly accurate in every detail. We reserve the right to amend the specification of any product without notice.

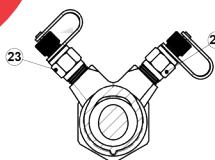
ART 25 PRS

DZR Fixed Orifice Double Regulating Valve (FODRV)



Features

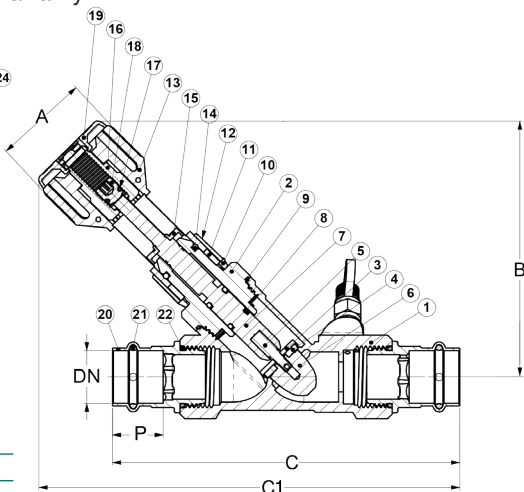
- Universal M & V Profile 15mm to 35mm
- Dedicated M Profile 42mm & 54mm
- Conforms to BS 5154
- Fixed orifice with $\pm 5\%$ flow measurement accuracy
- 5 year warranty



Technical data

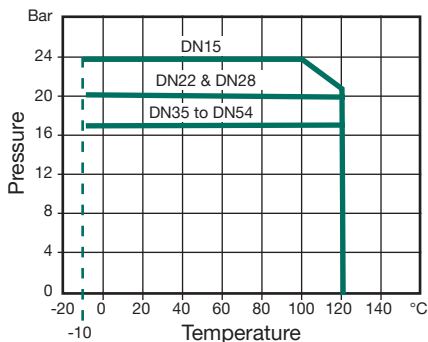
Max pressure: DN15 24 Bar
 DN22 & DN28 20 Bar
 DN 35 to DN54 17 Bar

Working temp: -10°C to $+120^{\circ}\text{C}$



N.	Part Name	Materials
1	Body	DZR Brass
2	Bonnet	DZR Brass
3	Gasket Support	DZR Brass
4	Gasket	EPDM
5	Stem for Shutter	DZR Brass
6	Shutter	DZR Brass
7	Stem	DZR Brass
8	O-Ring	EPDM PEROX
9	O-Ring	EPDM PEROX
10	Turn Index	Hostaform
11	Outdistance	Nylon
12	1/10 Turn Index	Hostaform
13	Knob	Hostaform
14	Pin	Steel
15	Index	Hostaform
16	Entrainer	Brass
17	Stem Gaskets O-Ring	NBR 70SH
18	Memory	Brass
19	Cup	Hostaform
20	Adaptor	DZR Brass
21	O-Ring (Delta)	EPDM 70 PEROX
22	O-Ring	EPDM 70 PEROX
23	Binder Point Blue	
24	Binder Point Red	

DN	15	22	28	35	42	54
A	51	51	51	51	57	57
B	111	129	138	142	181	190
C	144	165	185	216	248	295
C1	192	217	224	245	302	326
P	22	25	27	27	32	37
CH	28	33	40	43	56	71
Kv	1.75	3.77	6.96	15.83	21.05	43.90
Kvs	1.80	4.10	7.50	16.60	23.00	47.40
Kgs	0.87	1.20	1.48	2.15	3.09	4.76



V1. Dimensions in mm

This data sheet is designed as a guide and should not be regarded as wholly accurate in every detail. We reserve the right to amend the specification of any product without notice.

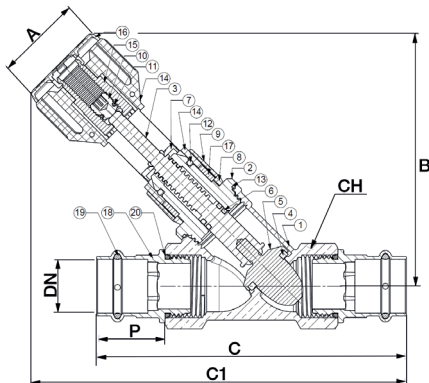
ART 26 PRS

DZR Brass Double Regulating Valve (DRV)



Features

- Universal M & V Profile with 15mm to 35mm
- Dedicated M Profile 42mm & 54mm
- Handwheel with shut off function and clear 360° reading
- Conforms to BS 5154
- 5 year warranty



Technical data

Max pressure: DN15 to DN28 20 Bar

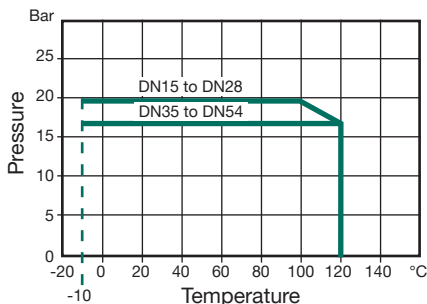
DN35 to DN54 17 Bar

Working temp: -10°C to 120°C

DN	15	22	28	35	42	54
A	51	51	51	51	57	57
B	104.5	121	133	141	181	190
C	118	136	148	164	184.5	227
C1	163	182.5	190	199.5	251	278.5
P	22	25	27	27	32	37
CH	28	33	40	51	56	71
Kv	3.9	7.3	11.8	21.6	28.5	50.5
Kgs	0.54	0.76	1.02	1.45	2.14	3.22

N.	Part Name	Materials
1	Body	DZR Brass
2	Bonnet	DZR Brass CW602N
3	Stem	DZR Brass CW602N
4	Gasket	EPDM
5	Shutter	DZR Brass CW602N
6	O-Ring	EPDM PEROX
7	Blue Index	POM
8	Blue Turn Index	POM
9	1/10 Turn Index	POM
10	Memory	Brass CW617N
11	Stem Gasket O-Ring	NBR 70Sh
12	Pin	Steel
13	O-Ring	EPDM PEROX
14	Knob	PA6 Fiberglass (15%)
15	Entrainer	Brass CW617N
16	Cap Blue	POM
17	Thickness	Nylon

N.	Part Name	Materials
18	Joint	DZR Brass CW511L
19	O-Ring	EPDM PEROX
20	O-Ring	EPDM PEROX



V1. Dimensions in mm

This data sheet is designed as a guide and should not be regarded as wholly accurate in every detail. We reserve the right to amend the specification of any product without notice.

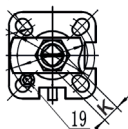
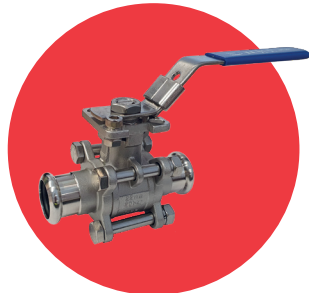
ART 994 PRS

Stainless Steel 3 Piece Press Ball Valve ISO5211

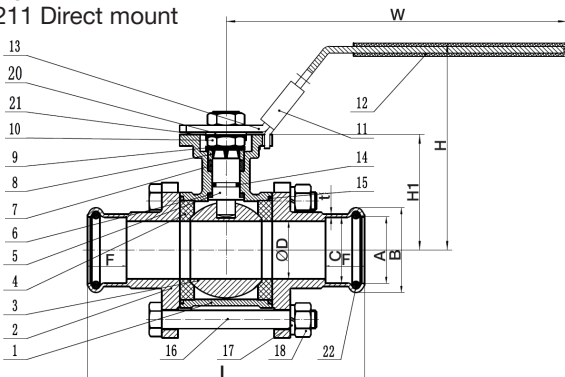


Features

- Dedicated M Profile
- Full Bore
- Locking device
- ISO5211 Direct mount



ISO 5211



Technical data

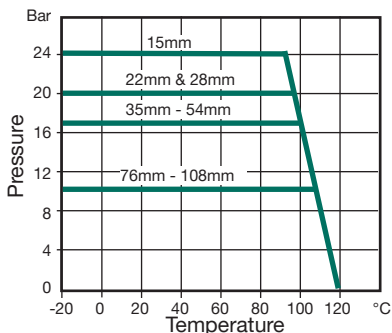
Max pressure:	15mm	24 Bar
	22mm & 28mm	20 Bar
	35mm - 54mm	17 Bar
	76mm - 108mm	10 Bar

Working temp: -20°C to +120°C

DN	15	22	28	35	42	54	76	88	108
L	87	100.6	130	143.2	158	186	251.4	274.7	329.2
W	141	141	162	162	188	188	233	233	330
H	75	81	93	98	109	124	151	160	172
A	15.7	22.9	28.8	35.8	42.7	54.7	79	92	112
B	22.7	30.8	36.7	43.7	52.7	64.7	94.5	108	131.2
C	15.3	22.3	28.4	35.4	42.4	54.5	77.1	89.9	109.2
D	12.5	20	25	32	38	50	64.5	76	94
F	20	21	23	27.5	31.6	36.6	61.6	66.6	81.7
t	1.5	1.5	1.5	1.5	1.5	1.5	2	2	2
ISO5211	F03/F04	F03/F04	F04/F05	F04/F05	F05/F07	F05/F07	F07/F010	F07/F010	F07/F010
H1	42	48	55	60	70	85	105	114	128
K	9	9	11	11	14	14	17	17	17
Torque	5	7	10	12	20	32	60	90	100
Kv	19	48	79	129	183	316	372	517	846
Kgs	0.47	0.68	1.08	1.72	2.43	3.92	7.85	11.68	22.41

N.	Part Name	Materials
1	Body	CF8M
2	Cap	CF8M
3	Ball	Stainless Steel 316
4	Seat	RPTFE (15%)
5	Stem	Stainless Steel 316
6	Thrust Washer	PTFE
7	Stem Packing	PTFE
8	Bushing	Stainless Steel 304
9	Belleville Washer	Stainless Steel 304
10	Stem Nut	Stainless Steel 304
11	Lock Device	Stainless Steel 304
12	Handle Cover	Plastic
13	Handle	Stainless Steel 304
14	O-Ring	NBR
15	Seal	PTFE
16	Bolt	Stainless Steel 304
17	Spring Washer	Stainless Steel 304
18	Bolt Nut	Stainless Steel 304
19	Stop Pin	Stainless Steel 304

20	Washer	Stainless Steel 304
21	Lug Washer	Stainless Steel 304
22	O-Ring	EPDM



V1. Dimensions in mm

This data sheet is designed as a guide and should not be regarded as wholly accurate in every detail. We reserve the right to amend the specification of any product without notice.

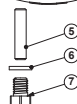
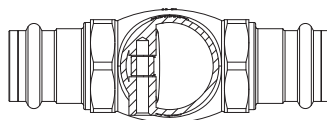
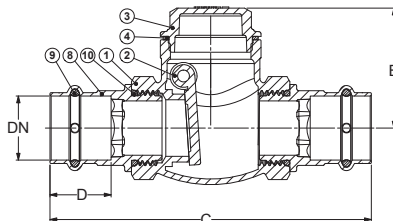
ART 194 PRS

PN16 Brass Swing Check Valve



Features

- Universal M & V Profile 15mm to 35mm
- Dedicated M Profile 42mm & 54mm
- 5 year warranty



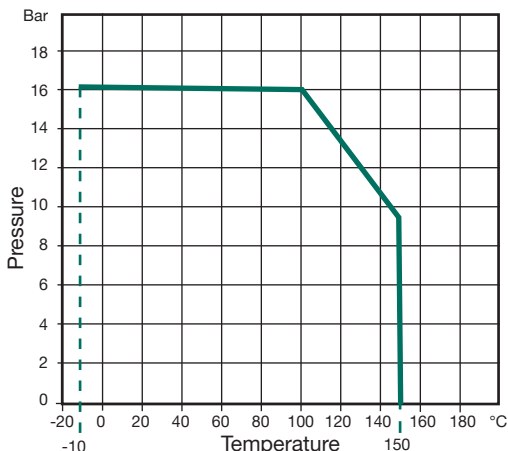
Technical data

Max pressure: 16 Bar

Working temp: -10°C to 150°C

DN	15	22	28	35	42	54
B	42.5	46	53	61	62.5	70
C	111	130	142	156	172	208
D	22	25	27	27	32	37
Kv	3.6	9.5	23	35	56	86
Kgs	0.32	0.48	0.74	1.04	1.25	2.07

N.	Part Name	Materials
1	Body	Brass CC754S
2	Swing Disc	Brass CC754S
3	Plug	Brass CC754S
4	Gasket	NA1100 Black
5	Pin	Brass CC754S
6	Gasket	Vulkan
7	Screw	Brass CC754S
8	Adaptor	DZR Brass CW511
9	O-Ring (Delta)	EPDM 70 PEROX
10	O-Ring	EPDM 70 PEROX

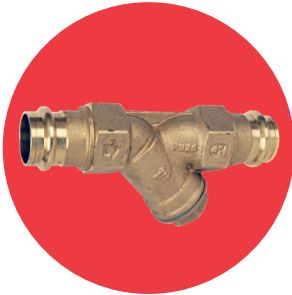


V1. Dimensions in mm

This data sheet is designed as a guide and should not be regarded as wholly accurate in every detail. We reserve the right to amend the specification of any product without notice.

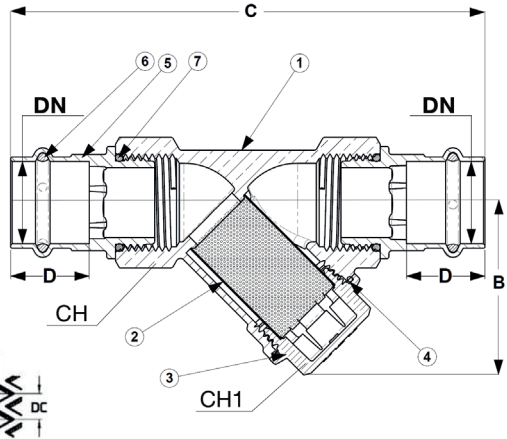
ART 198 PRS

PN20 DZR Brass 'Y' Type Strainer



Features

- Universal M & V Profile 15mm to 35mm
- Dedicated M Profile 42mm & 54mm
- Pre-press leak detection
- 5 year warranty



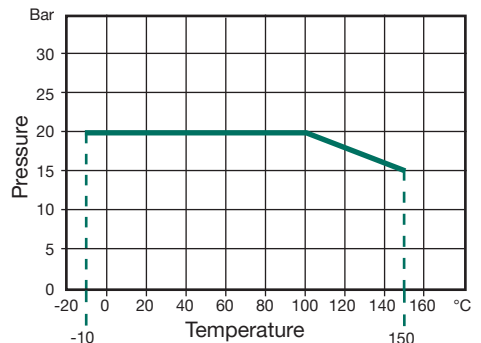
Technical data

Max pressure: 20 Bar

Working temp: -10°C to 150°C

DN	15	22	28	35	42	54
B	39	50	60	71	81.5	100
C	152	170	185	202	219	263
D	42	46.5	47	47	51.5	60
CH	28	33	40	51	56	71
CH1	18	22	29	34	39	55
AV	0.4	0.4	0.4	0.4	0.4	0.4
DL	2.5	2.5	2.5	2.5	2.5	2.5
S	0.25	0.25	0.25	0.25	0.25	0.25
DC	1.4	1.4	1.4	1.4	1.4	1.4
Kv	3.4	7	10	16	24	35
Kgs	0.36	0.52	0.77	1.20	1.55	2.72

N.	Part Name	Materials
1	Body	DZR Brass CC752S
2	Strainer	Stainless Steel 304
3	Bonnet	DZR Brass CC752S
4	O-Ring	FKM70 Red
5	Joint	DZR Brass
6	O-Ring (Delta)	EPDM 70 PEROX
7	O-Ring	EPDM 70 PEROX



V1. Dimensions in mm

This data sheet is designed as a guide and should not be regarded as wholly accurate in every detail. We reserve the right to amend the specification of any product without notice.