

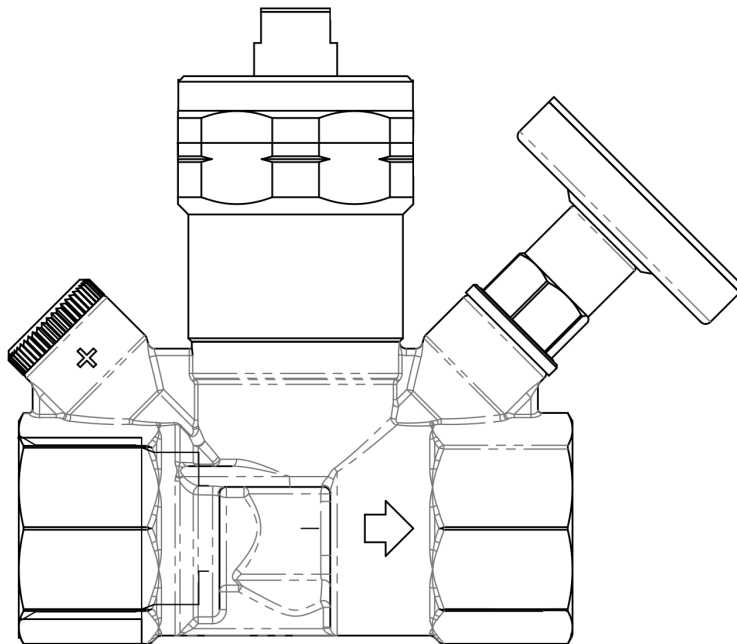


Installation & Operating Manual



ART 32 **Thermostatic Balancing** **Valve with Anti Legionella** **Device**

Albion Valves (UK) Ltd
www.albionvalvesuk.com
Email: sales@albionvalvesuk.com
Tel: 01226 729900



Pressure Rating
Operating Temperature
Temperature Regulating Range
Anti-Legionella Disinfectant Temperature
Threads

25 Bar
-10°C – 90°C
40°C – 60°C
70°C
ISO 7/1 Rp

Operation

ART 32 balancing valves are suitable for use on domestic hot water systems allowing automatic balancing in recirculation circuits.

Installation

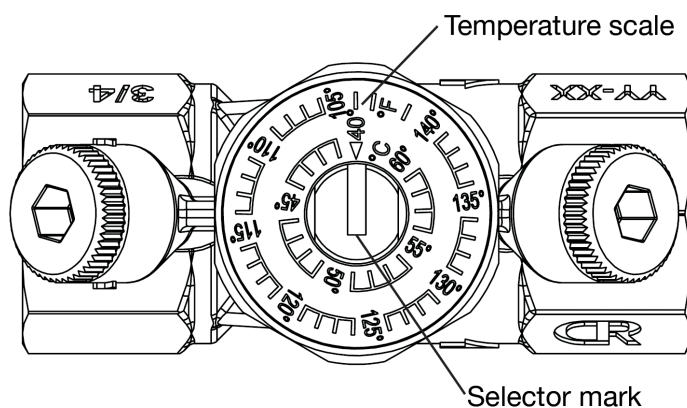
The following points should be taken into consideration, along with good industry practices when installing ART 32.

- The installation must be free of dirt, debris and foreign bodies.
- The valves must be installed with the valve flow direction arrow corresponding with the media flow.
- Valves can be installed in any orientation if the media is deemed clean.
- Valves should be installed upside down if the media contains any particles.
- All valves must be free of mechanical stresses.
- Consideration should be given regarding thermal expansion.

ART 32 is not an anti-scald device and cannot be used to prevent the flow of media if the water reaches dangerously high temperatures.

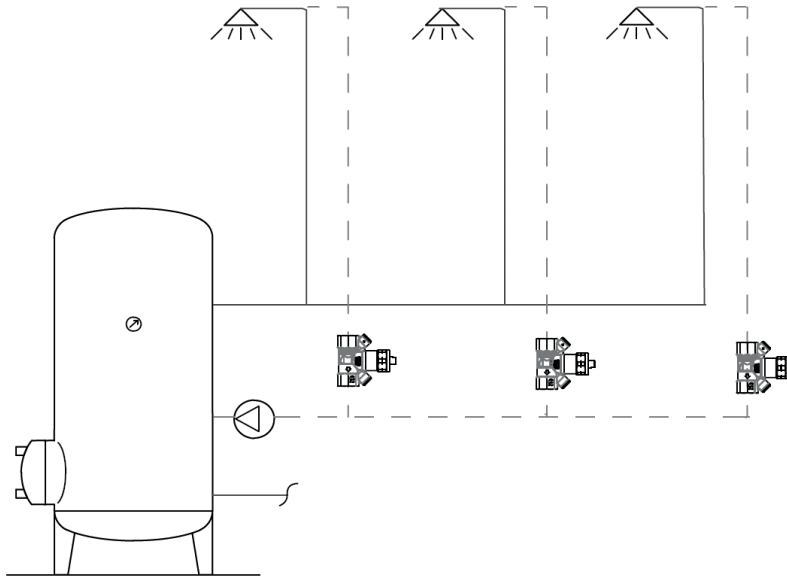
Temperature Regulation

To set the desired circulating temperature turn the adjustment mechanism until the desired system temperature lines up with the mark of the selector.



Typical Installations

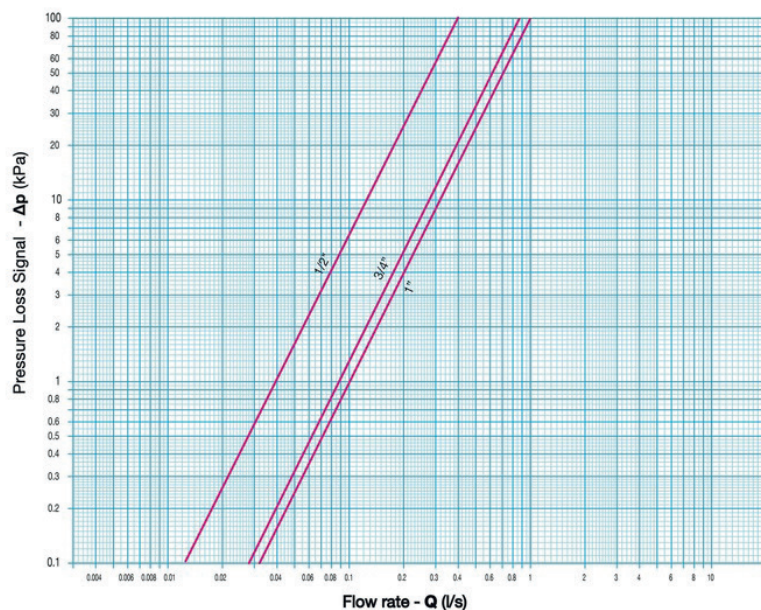
ART 32 is suitable in domestic hot water systems, allowing automatic balancing in recirculation circuits, they guarantee the desired temperatures at each point of the system and minimize heat losses.



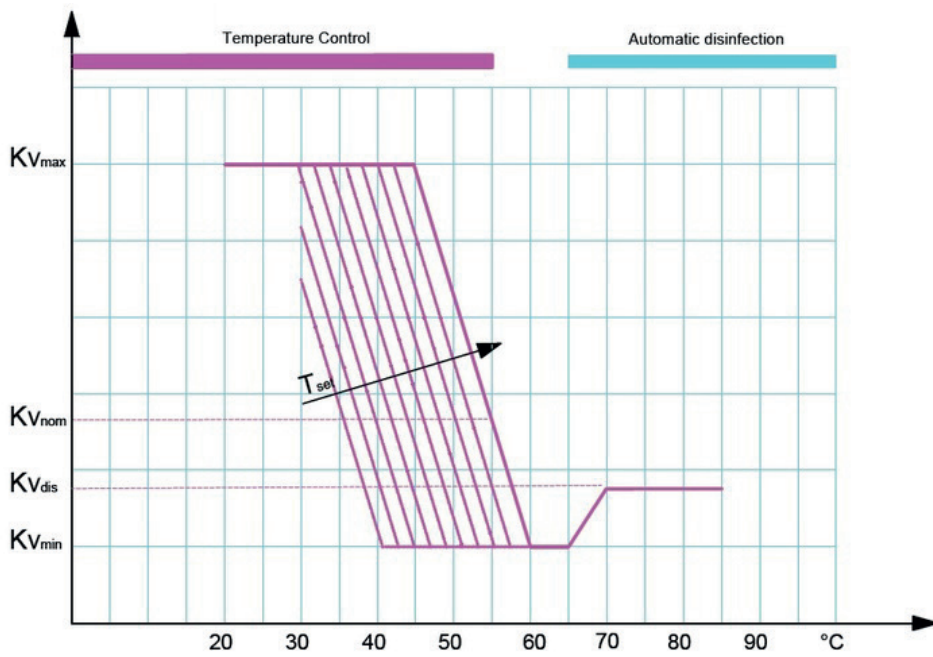
Maintenance

No specific maintenance is required for ART 32

Flow & Pressure Drop



Technical Characteristics



Kv Values

DN	15	20	25
Kv Max	1.5	3.1	3.6
Kv Min	0.25	0.25	0.25
Kv Nom	0.6	0.7	0.8
Kv Dis	0.5	0.5	0.5



About Albion Valves (UK) Ltd

Albion has been supplying valves and fittings to the building services and industrial markets for the past 40 years.

Albion was created with the sole purpose of providing quality products at an affordable price. With a growing reputation for quality and reliability, Albion is now an established brand providing the industry with a trusted alternative to premium-priced products.

Our commitment to setting the highest standards in all areas of our business means, if you're looking for quality, service, delivery and choice — you'll find it's all at Albion.

Quality

Whatever you need, you can rest assured that if it comes from Albion it has been designed and manufactured to deliver optimum performance and is accredited with the necessary approvals. Our in-house quality department are always on hand too!

Service

We pride ourselves on our customer service – we have even won awards for it! Our cradle to grave approach means you will never be on your own!

Delivery

We know that time is money, and when a priority project depends on a part you can trust Albion to deliver – next day for all orders placed before 4:00PM.

Choice

We may have started out with a single brass ball valve, but our range has grown substantially since and we now consider ourselves to be a 'One Stop Shop' with our comprehensive range. It is becoming more and more apparent to the industry, that it really is all at Albion.