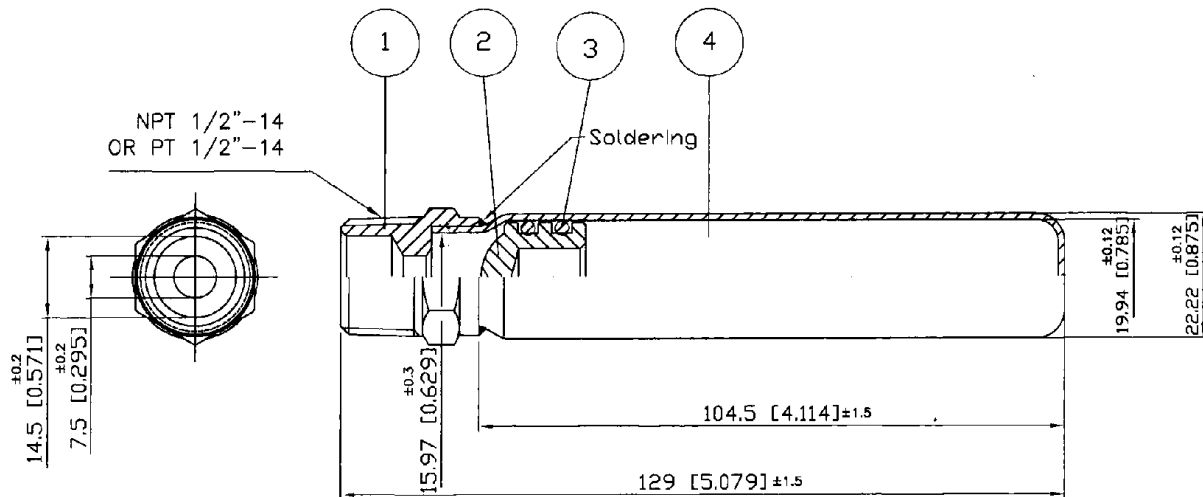


# WATER HAMMER ARRESTER CERTIFICATE



This is to certify that Water Hammer Arrester, Model No. ART 1335 AA, manufactured by, or for Albion Valves (UK) Limited, which conforms to the drawings and dimensions illustrated herein, has been certified by the Plumbing and Drainage Institute, Inc., 800 Turnpike Street, Suite 300, North Andover, MA. 01845, as of this date in accordance with the certification procedure established by the Plumbing and Drainage Institute, in P.D.I. Standard WH-201, for size AA Water Hammer Arresters. It is further certified that when such arrester was performance tested on a 1/2 inch pipe line of fifty feet effective length, flow pressure of 60 P.S.I.G. and surge pressure of 340 P.S.I.G. (400 P.S.I.G. maximum total pressure), such arrester limited the total pressure created by sudden valve closure to 150 P.S.I.G. maximum which is the acceptable limit in such Standard.

The results of tests or conformance inspections conducted on this unit are applicable to this unit only. Use of this data and/or reference to the Plumbing and Drainage Institute in connection with purported certification by any other means than certification as described in the applicable standard constitute a breach of the relevant certification Mark License Agreement with the Plumbing and Drainage Institute.



NO.	PART NAME	MATERIAL	Q'TY	REMARK
4	PIPE	C1220T-H	1	
3	O-RING	EPDM	2	ø19.8x3.5t
2	PISTON	PP	1	
1	ADAPTER	C46400	1	HEX 21•L 24.5
PROJECT :		Albion Water Hammer Arrester		TITLE :
				ART 1335 AA Screw Type 1/2' AA
SCALE (1 : 1)		UNIT (inch)		
DESIGNED	CHECKED	APPROVED	Albion Valves UK	
NAME	S.I.O.H		JWG No.	M-WHA-A001
DATE	2023 06 21	2023 06 21		

(Drawing, dimensions and description)

The statements made herein are certified to be true and correct representations of the model certified by PDI.

Name Mat Weiss

Title Executive Director

Certification Date July 13, 2023

Report No. 80175530-1

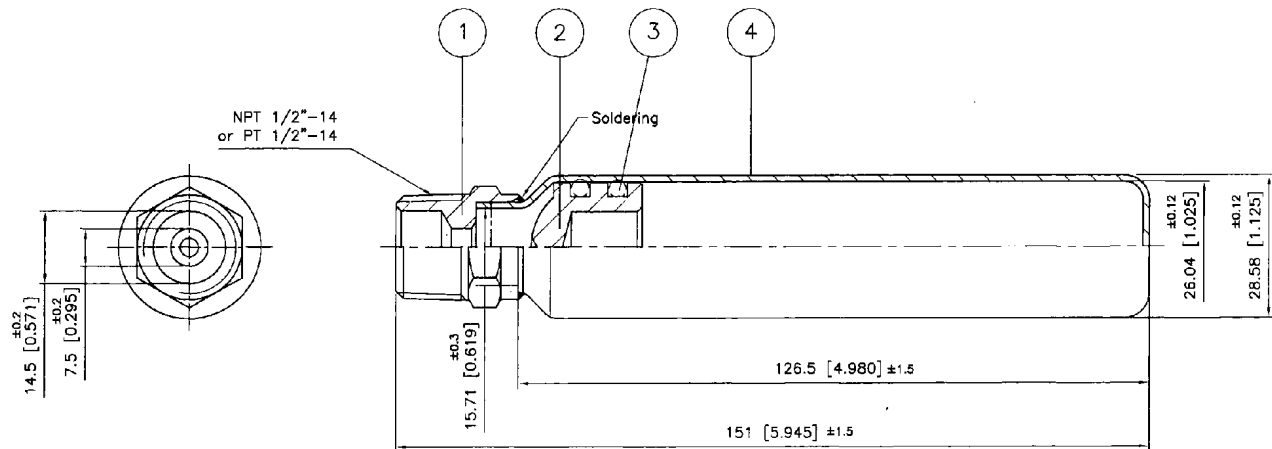
Certification Expiration Date July 13, 2028

# WATER HAMMER ARRESTER CERTIFICATE



This is to certify that Water Hammer Arrester, Model No. ART 1335 A, manufactured by, or for Albion Valves (UK) Limited, which conforms to the drawings and dimensions illustrated herein, has been certified by the Plumbing and Drainage Institute, Inc., 800 Turnpike Street, Suite 300, North Andover, MA. 01845, as of this date in accordance with the certification procedure established by the Plumbing and Drainage Institute, in P.D.I. Standard WH-201, for size A Water Hammer Arresters. It is further certified that when such arrester was performance tested on a 1/2 inch pipe line of fifty feet effective length, flow pressure of 60 P.S.I.G. and surge pressure of 340 P.S.I.G. (400 P.S.I.G. maximum total pressure), such arrester limited the total pressure created by sudden valve closure to 150 P.S.I.G. maximum which is the acceptable limit in such Standard.

The results of tests or conformance inspections conducted on this unit are applicable to this unit only. Use of this data and/or reference to the Plumbing and Drainage Institute in connection with purported certification by any other means than certification as described in the applicable standard constitute a breach of the relevant certification Mark License Agreement with the Plumbing and Drainage Institute.



4	PIPE	C1220T-H	1	
3	O-RING	EPDM	2	ø19.8x3.5t
2	PISTON	PP	1	
1	ADAPTER	C464C0	1	HEX 21*L 24.5
NO.	PART NAME	MATERIAL	Q'TY	REMARK
PROJECT: Albion Water Hammer Arrester		TITLE: ART 1335 A Screw Type 1/2" A		
SCALE (1:1)		UNT. mm [inch]	Albion Valves UK	
DESIGNED	CHECKED	APPROVED	DWG No. M-WHA-A002	
NAME: S.I.OH				
DATE: 2023.06.21		2023.06.21		

(Drawing, dimensions and description)

The statements made herein are certified to be true and correct representations of the model certified by PDI.

Name Mat Weiss

Title Executive Director

Certification Date July 13, 2023

Report No. 80175530-2

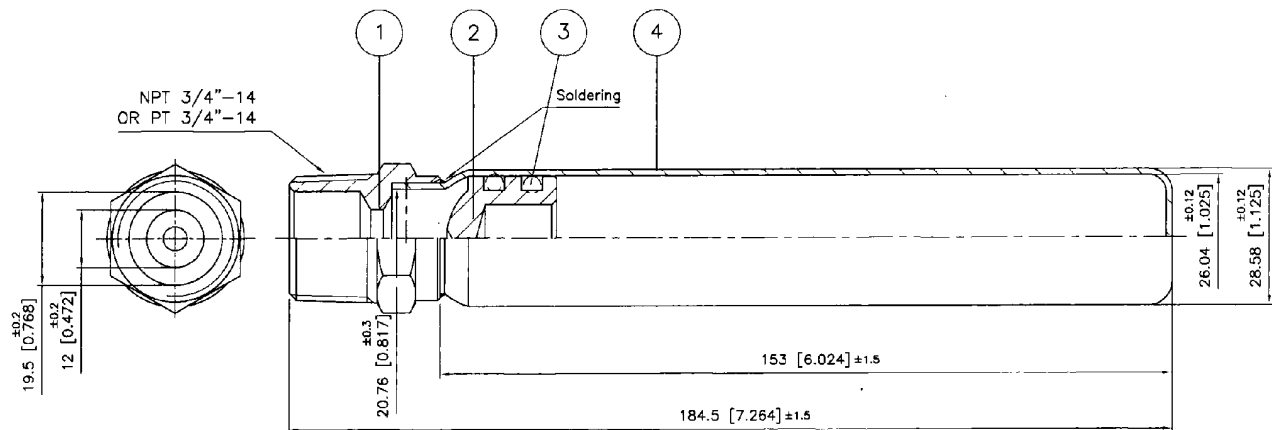
Certification Expiration Date July 13, 2028

# WATER HAMMER ARRESTER CERTIFICATE



This is to certify that Water Hammer Arrester, Model No. ART 1335 B, manufactured by, or for Albion Valves (UK) Limited, which conforms to the drawings and dimensions illustrated herein, has been certified by the Plumbing and Drainage Institute, Inc., 800 Turnpike Street, Suite 300, North Andover, MA. 01845, as of this date in accordance with the certification procedure established by the Plumbing and Drainage Institute, in P.D.I. Standard WH-201, for size B Water Hammer Arresters. It is further certified that when such arrester was performance tested on a 3/4 inch pipe line of fifty feet effective length, flow pressure of 60 P.S.I.G. and surge pressure of 340 P.S.I.G. (400 P.S.I.G. maximum total pressure), such arrester limited the total pressure created by sudden valve closure to 150 P.S.I.G. maximum which is the acceptable limit in such Standard.

The results of tests or conformance inspections conducted on this unit are applicable to this unit only. Use of this data and/or reference to the Plumbing and Drainage Institute in connection with purported certification by any other means than certification as described in the applicable standard constitute a breach of the relevant certification Mark License Agreement with the Plumbing and Drainage Institute.



NO.	PART NAME	MATERIAL	Q'TY	REMARK
4	PIPE	C1220T-H	1	
3	O-RING	EPDM	2	Ø19.8x3.5t
2	PISTON	PP	1	
1	ADAPTER	C46400	1	HEX 27*L 31.5

PROJECT : Albion Water Hammer Arrester		TITLE : ART 1335 B Screw Type 3/4" B	
SCALE ( 1 : 1 ) UNIT :mm [inch]		Albion Valves UK	
DESIGNED	CHECKED	APPROVED	DWG No.
NAME S.I.OH		<i>[Signature]</i>	M-WHA-A003
DATE 2023.04.21		2023.06.21	

(Drawing, dimensions and description)

The statements made herein are certified to be true and correct representations of the model certified by PDI.

Name Mat Weiss Title Executive Director

Certification Date July 13, 2023 Report No 80175530-3

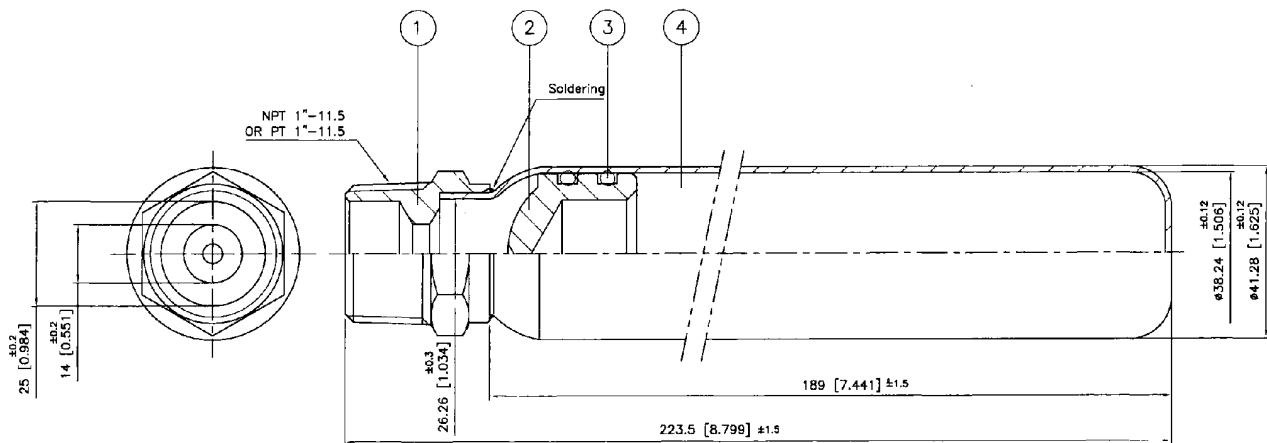
Certification Expiration Date July 13, 2028

# WATER HAMMER ARRESTER CERTIFICATE



This is to certify that Water Hammer Arrester, Model No. ART 1335 C, manufactured by, or for Albion Valves (UK) Limited, which conforms to the drawings and dimensions illustrated herein, has been certified by the Plumbing and Drainage Institute, Inc., 800 Turnpike Street, Suite 300, North Andover, MA. 01845, as of this date in accordance with the certification procedure established by the Plumbing and Drainage Institute, in P.D.I. Standard WH-201, for size C Water Hammer Arresters. It is further certified that when such arrester was performance tested on a 1 inch pipe line of fifty feet effective length, flow pressure of 60 P.S.I.G. and surge pressure of 340 P.S.I.G. (400 P.S.I.G. maximum total pressure), such arrester limited the total pressure created by sudden valve closure to 150 P.S.I.G. maximum which is the acceptable limit in such Standard.

The results of tests or conformance inspections conducted on this unit are applicable to this unit only. Use of this data and/or reference to the Plumbing and Drainage Institute in connection with purported certification by any other means than certification as described in the applicable standard constitute a breach of the relevant certification Mark License Agreement with the Plumbing and Drainage Institute.



NO.	PART NAME	MATERIAL	Q'TY	REMARK
4	PIPE	C1220T-H	1	
3	O-RING	EPDM	2	Ø31.34x3.53t
2	PISTON	PP	1	
1	ADAPTER	C46400	1	HEX 34*L 34.5

PROJECT : Albion Water Hammer Arrester		TITLE : ART 1335 C Screw Type 1" C	
SCALE ( 1 : 1 ) UNIT : mm [inch]		Albion Valves UK	
DESIGNED	CHECKED	APPROVED	DWG No.
NAME S I o H		<i>[Signature]</i>	M-WHA-A004
DATE 2023.06.21		2023.06.21	

(Drawing, dimensions and description)

The statements made herein are certified to be true and correct representations of the model certified by PDI.

Name Mat Weiss Title Executive Director

Certification Date July 13, 2023 Report No 80175560-4

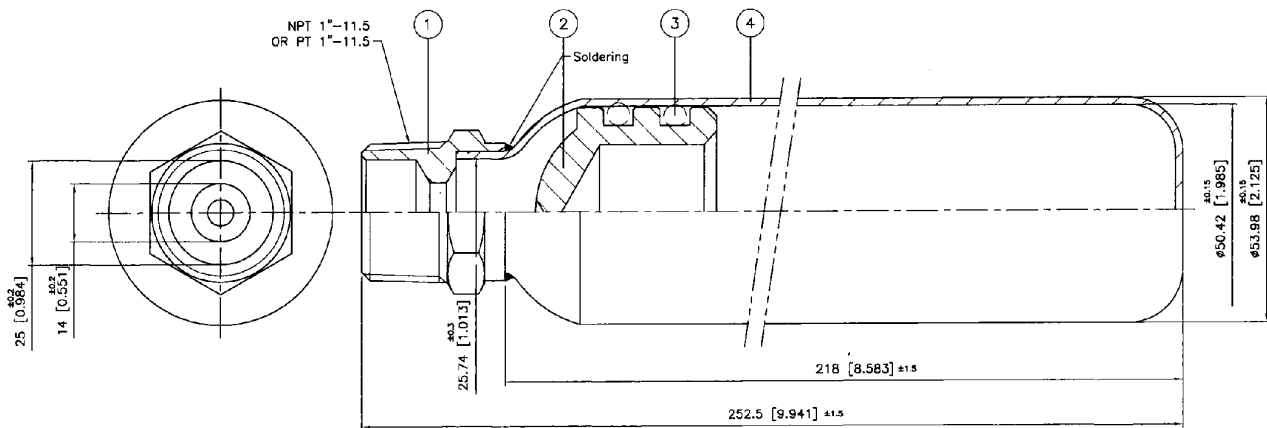
Certification Expiration Date July 13, 2028

# WATER HAMMER ARRESTER CERTIFICATE



This is to certify that Water Hammer Arrester, Model No. ART 1335 D, manufactured by, or for Albion Valves (UK) Limited, which conforms to the drawings and dimensions illustrated herein, has been certified by the Plumbing and Drainage Institute, Inc., 800 Turnpike Street, Suite 300, North Andover, MA. 01845, as of this date in accordance with the certification procedure established by the Plumbing and Drainage Institute, in P.D.I. Standard WH-201, for size D Water Hammer Arresters. It is further certified that when such arrester was performance tested on a 1-1/4 inch pipe line of fifty feet effective length, flow pressure of 60 P.S.I.G. and surge pressure of 340 P.S.I.G. (400 P.S.I.G. maximum total pressure), such arrester limited the total pressure created by sudden valve closure to 150 P.S.I.G. maximum which is the acceptable limit in such Standard.

The results of tests or conformance inspections conducted on this unit are applicable to this unit only. Use of this data and/or reference to the Plumbing and Drainage Institute in connection with purported certification by any other means than certification as described in the applicable standard constitute a breach of the relevant certification Mark License Agreement with the Plumbing and Drainage Institute.



NO.	PART NAME	MATERIAL	Q'TY	REMARK
4	PIPE	C1220T-H	1	
3	O-RING	EPDM	2	ø40.64x5.33t
2	PISTON	PP	1	
1	ADAPTER	C46400	1	HEX 34*L 34.5

PROJECT : Albion Water Hammer Arrester		TITLE : ART 1335 D Screw Type 1" D	
SCALE ( 1 : 1 ) UNIT :mm [inch]		Albion Valves UK	
DESIGNED	CHECKED	APPROVED	DWG No.
NAME S.I.O.H		<i>[Signature]</i>	M-WHA-A005
DATE 2023.06.21		2023.06.21	

(Drawing, dimensions and description)

The statements made herein are certified to be true and correct representations of the model certified by PDI.

Name Mat Weiss Title Executive Director

Certification Date July 13, 2023 Report No 80175560-5

Certification Expiration Date July 13, 2028

# WATER HAMMER ARRESTER CERTIFICATE



This is to certify that Water Hammer Arrester, Model No. \_\_\_\_\_, manufactured by, or for \_\_\_\_\_, which conforms to the drawings and dimensions illustrated herein, has been certified by the Plumbing and Drainage Institute, Inc., 800 Turnpike Street, Suite 300, North Andover, MA. 01845, as of this date in accordance with the certification procedure established by the Plumbing and Drainage Institute, in P.D.I. Standard WH-201, for size \_\_\_\_\_ Water Hammer Arresters. It is further certified that when such arrester was performance tested on a \_\_\_\_\_ inch pipe line of fifty feet effective length, flow pressure of 60 P.S.I.G. and surge pressure of 340 P.S.I.G. (400 P.S.I.G. maximum total pressure), such arrester limited the total pressure created by sudden valve closure to 150 P.S.I.G. maximum which is the acceptable limit in such Standard.

The results of tests or conformance inspections conducted on this unit are applicable to this unit only. Use of this data and/or reference to the Plumbing and Drainage Institute in connection with purported certification by any other means than certification as described in the applicable standard constitute a breach of the relevant certification Mark License Agreement with the Plumbing and Drainage Institute.

(Drawing, dimensions and description)

The statements made herein are certified to be true and correct representations of the model certified by PDI.

Name Mat Weiss Title \_\_\_\_\_

Certification Date \_\_\_\_\_ Report No \_\_\_\_\_

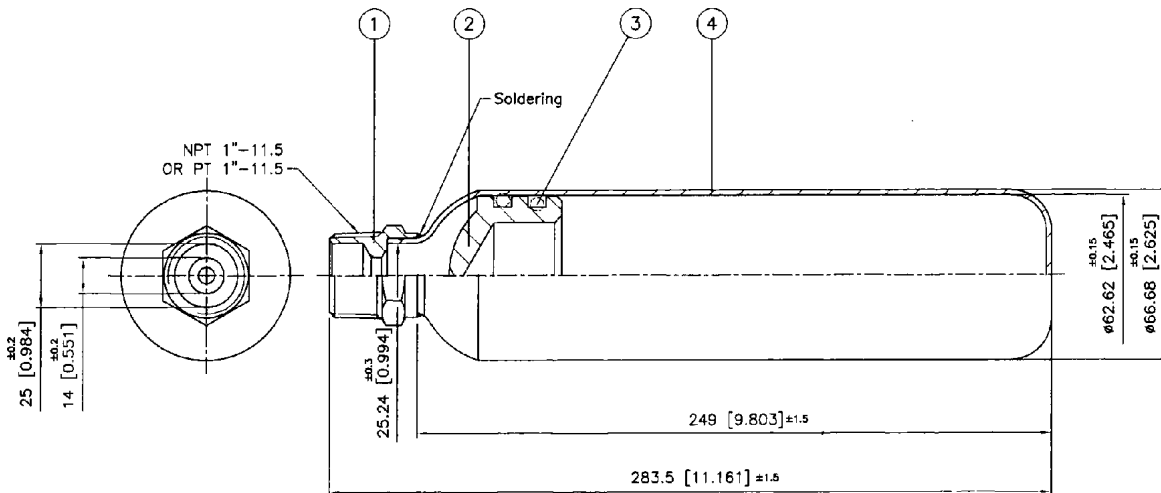
Certification Expiration Date \_\_\_\_\_

# WATER HAMMER ARRESTER CERTIFICATE



This is to certify that Water Hammer Arrester, Model No. ART 1335 F, manufactured by, or for Albion Valves (UK) Limited, which conforms to the drawings and dimensions illustrated herein, has been certified by the Plumbing and Drainage Institute, Inc., 800 Turnpike Street, Suite 300, North Andover, MA. 01845, as of this date in accordance with the certification procedure established by the Plumbing and Drainage Institute, in P.D.I. Standard WH-201, for size F Water Hammer Arresters. It is further certified that when such arrester was performance tested on a 2 inch pipe line of fifty feet effective length, flow pressure of 60 P.S.I.G. and surge pressure of 340 P.S.I.G. (400 P.S.I.G. maximum total pressure), such arrester limited the total pressure created by sudden valve closure to 150 P.S.I.G. maximum which is the acceptable limit in such Standard.

The results of tests or conformance inspections conducted on this unit are applicable to this unit only. Use of this data and/or reference to the Plumbing and Drainage Institute in connection with purported certification by any other means than certification as described in the applicable standard constitute a breach of the relevant certification Mark License Agreement with the Plumbing and Drainage Institute.



NO.	PART NAME	MATERIAL	Q'TY	REMARK
4	PIPE	C1220T-H	1	
3	O-RING	EPDM	2	Ø50.17x5.33t
2	PISTON	PP	1	
1	ADAPTER	C46400	1	HEX 34*L 34.5

PROJECT : Albion Water Hammer Arrester		TITLE : ART 1335 F Screw Type 1" F	
SCALE ( 1 : 2 ) UNIT :mm [inch]		Albion Valves UK	
DESIGNED	CHECKED	APPROVED	DWG No.
S.I.O.H		<i>[Signature]</i>	M-WHA-A007
DATE 2023.06.21		2023.06.21	

(Drawing, dimensions and description)

The statements made herein are certified to be true and correct representations of the model certified by PDI.

Name Mat Weiss Title Executive Director

Certification Date July 13, 2023 Report No 80175560-7

Certification Expiration Date July 13, 2028