

EasyLink PICV

H Block complete with PICV

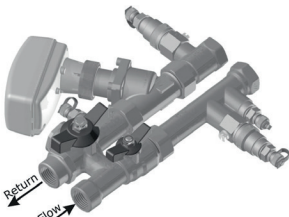


Features

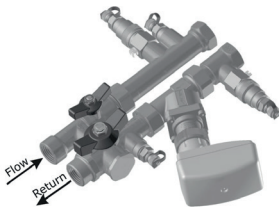
- Fitted with PICV
- For direct mounting to terminal units in heating and cooling applications at 40mm centres
- Integral Venturi metering station for accurate flow verification. Kv-signal values: 0.198-0.598-1.394-2.361
- Material DZR Brass CW602N
- Integrated union joints for easy valve alignment
- Tee handle isolation valves for flow, return and bypass
- Drains on the flow and return
- PT plugs across the PICV to measure DP
- PT plug on the flow side for measuring the DP across the terminal unit
- Left and right hand versions available
- Thermic actuators available on request

Technical data

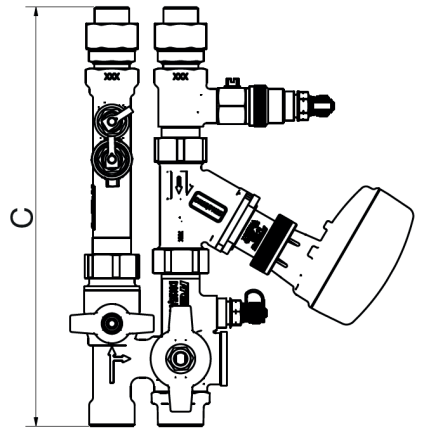
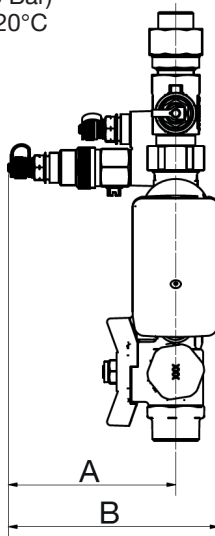
Max pressure: 20 Bar
 Differential pressure: 800 kPa (8 Bar)
 Working temp: 0°C to +120°C



Right hand version



Left hand version



Part Name	Material
Body	DZR Brass CW602N
O-Rings	EPDM

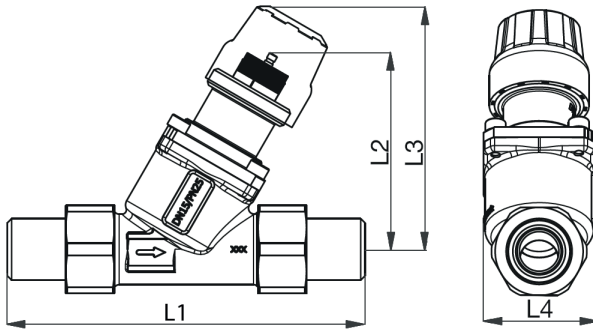
KV values (*Accuracy KV signal: +/- 5%)

DN	DN15
A	95
B	120
C	244

KV signal*	KV max
0.198	0.262
0.598	0.723
1.394	2.309
2.361	4.399

EasyLink PICV

H Block complete with PICV



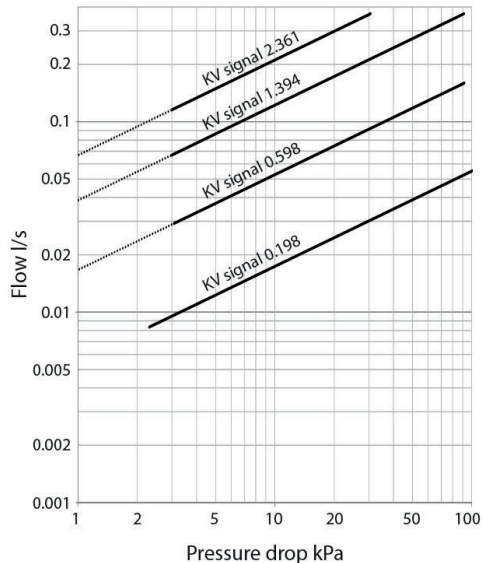
DN	DN15
Thread	G 3/4"
L1	122
L2	68
L3	83
L4	38
Kgs (Basic)	0.38
Kgs (P/T)	0.47

Part Name	Material
Body	DZR Brass CW602N
O-Rings	EPDM
Spring	Stainless Steel
DP Controller	PPS 40% glass
Diaphragm	HNBR

PICV's Available

Stroke	mm	DN15 LOW		DN15 HIGH	
		2.5mm	5.0mm	2.5mm	5.0mm
Flow	I/h	30-200	65-370	100-575	220-1,330
	I/s	0.008-	0.018-	0.028-	0.061-
	gpm	0.056	0.103	0.160	0.369
		0.13-0.88	0.29-1.63	0.44-2.53	0.97-5.85

Flow graph for Venturi Metering Station

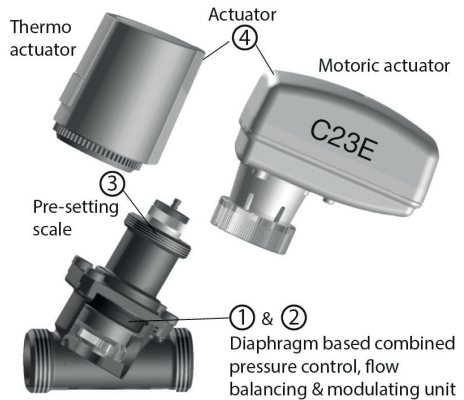


EasyLink PICV

H Block complete with PICV



1. Differential pressure control
2. Modulating control component
3. Presetting scale (not accessible when the actuator is mounted)
 - a. Flow range: Low-High
 - b. Stroke: 2.5 - 5.0
4. Actuator



Operating Pressure

The EasyLink PICV (DN15) can operate to a maximum differential pressure of 800kPa (8 bar).

Close Off Pressure

The EasyLink is capable of closing against the following differential pressures to EN 1349 Class IV:

DN15: 600kPa (6 Bar) - based on 100N actuator force

DN15: 800kPa (8 Bar) - based on 160N actuator force

Isolation

When fitted with the isolation cap (DN15) the EasyLink is capable of isolation to a maximum of 10 bar.

