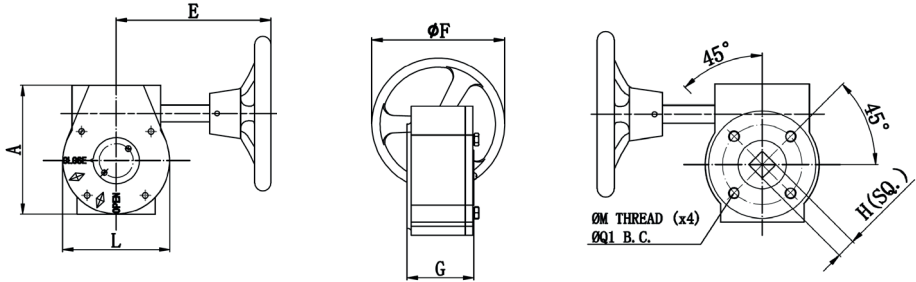


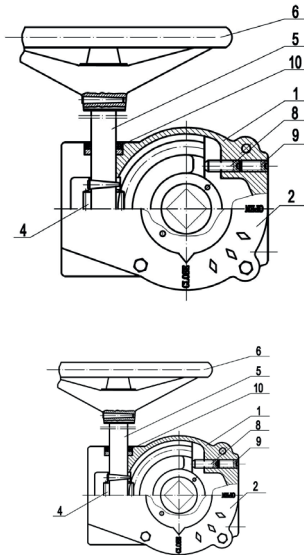
GEARBOX



Gearbox to suit ART 125 and ART 140 1½" - 10"



DN	1.1/2" - 3"	4"	5" - 6"	8"	10"
A	122	122	122	168	168
E	156	156	156	208	208
ØF	147	147	147	278	278
G	62	62	62	76	76
L	102	102	102	145	145
H	9	11	14	17	22
ØQ1	50	70	70	102	102
ISO 5211	F05	F07	F07	F10	F10
ØM	M6	M8	M8	M10	M10
Kgs	3.8	3.8	3.8	8.0	8.0



N.	Part Name	Materials
1	Housing	Grey Cast Iron EN-GJL-250
2	Top Cover	Grey Cast Iron EN-GJL-250
3	Gear Quadrant	Ductile Iron
4	Worm Gear	Steel
5	Input Shaft	Steel
6	Handwheel	Grey Cast Iron EN-GJL-250
7	Indicator	Aluminium
8	Adjustment Screw	Steel
9	Set Screw	Steel
10	Shaft Seal	NBR

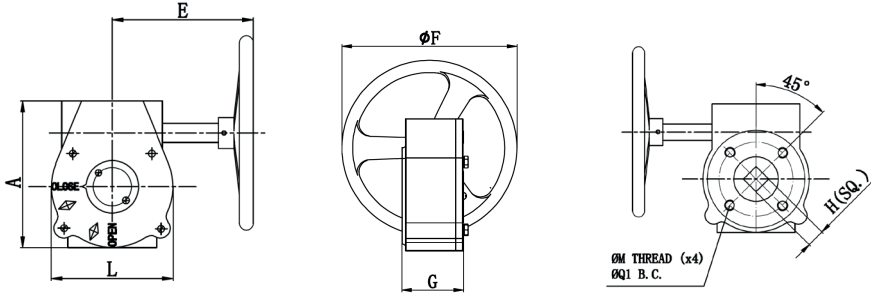
V1. Dimensions in mm

This data sheet is designed as a guide and should not be regarded as wholly accurate in every detail. We reserve the right to amend the specification of any product without notice.

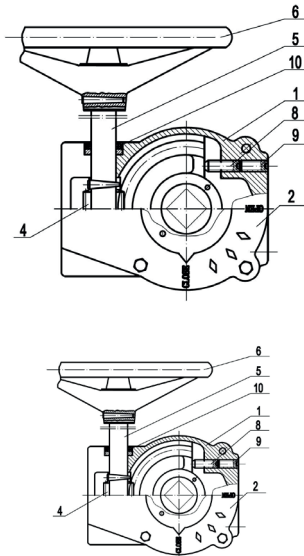
GEARBOX



Gearbox to suit ART 125 and ART 140 12" - 14"



DN	12"	14"
A	192.5	192.5
E	186	186
ØF	278	278
G	75	75
L	158	158
H	22	22
ØQ1	102	102
ISO 5211	F10	F10
ØM	M10	M10
Kgs	9.8	9.8



N.	Part Name	Materials
1	Housing	Grey Cast Iron EN-GJL-250
2	Top Cover	Grey Cast Iron EN-GJL-250
3	Gear Quadrant	Ductile Iron
4	Worm Gear	Steel
5	Input Shaft	Steel
6	Handwheel	Grey Cast Iron EN-GJL-250
7	Indicator	Aluminium
8	Adjustment Screw	Steel
9	Set Screw	Steel
10	Shaft Seal	NBR

V1. Dimensions in mm

This data sheet is designed as a guide and should not be regarded as wholly accurate in every detail. We reserve the right to amend the specification of any product without notice.