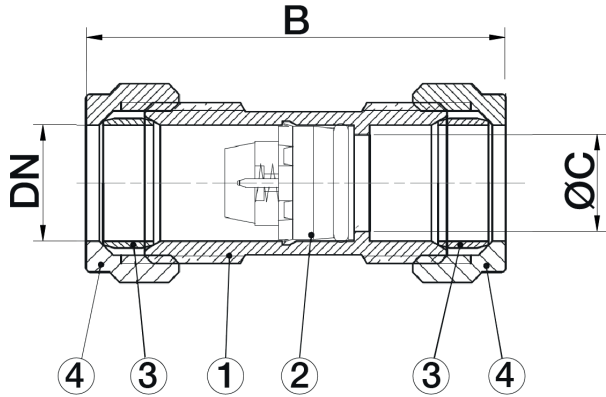


# ART 39

## DZR Brass Single Check Valve

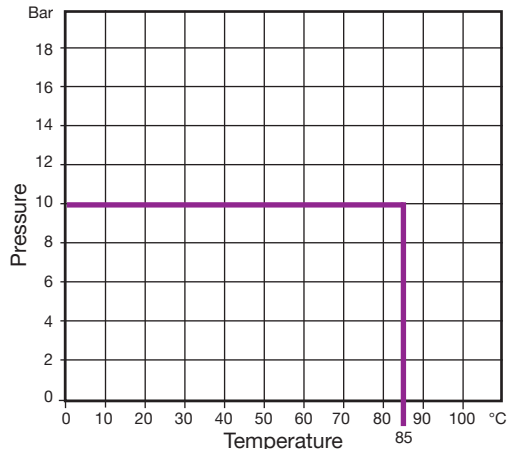


**Technical data**  
 Max pressure: 10 Bar  
 Max Working temp: 85°C



DN	15	22	28
B	54.0	64.5	77.5
C	12.5	15.0	18.0
Kgs	0.08	0.13	0.19

N.	Part Name	Materials
1	Body	DZR Brass
2	Non-Return Core	POM
3	Olive	T2 Copper
4	Compression Nut	Brass HPb59-T



V3 Dimensions in mm

This data sheet is designed as a guide and should not be regarded as wholly accurate in every detail. We reserve the right to amend the specification of any product without notice.