

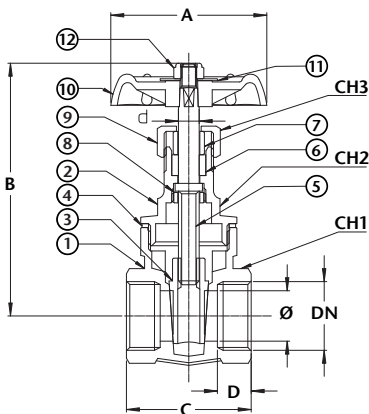
# ART 175

## PN25 Brass Gate Valve



### Features

- Screwed BSP Taper (ISO 7/1)
- Full bore
- BS5154
- Kite Marked KM553179



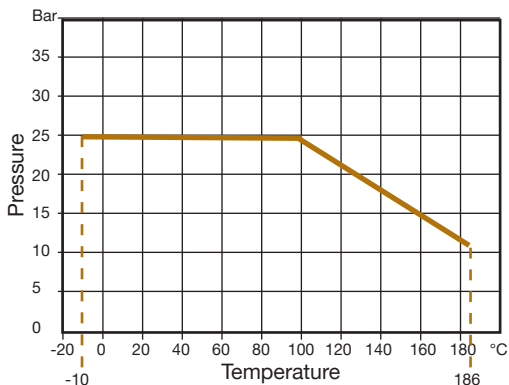
### Technical data

Max pressure: 25 Bar

Working temp: -10°C to +186°C

DN	1/2"	3/4"	1"	1 1/4"	1 1/2"	2"
Ø	13	19.4	26	32	38.5	50.4
A	55	60	65	75	80	90
B	81	97	107.5	121.5	142	165.5
C	44	48	55	61	65	71
D	12	13	15.5	16.5	18	19
CH1	27	33	40	50	56	69
CH2	22	24	26	32	42	52
CH3	19	21	21	25	25	29
d	8	8	9	10	11	12
Kv	10	36	61	90	189	276
Kgs	0.28	0.40	0.55	0.83	1.24	1.85

N.	Part Name	Materials
1	Body	Brass CW617N
2	Bonnet	Brass CW617N
3	Wedge	Brass CW617N
4	Packing	Graphite
5	Stem	Brass CW617N
6	Gasket	PTFE
7	Gland Screw	Brass CW617N
8	Cap	Brass CW617N
9	Nut	Brass CW617N
10	Handwheel	Steel
11	Plate	Aluminium
12	Self-Locking Nut	Steel



V2. Dimensions in mm

This data sheet is designed as a guide and should not be regarded as wholly accurate in every detail. We reserve the right to amend the specification of any product without notice.