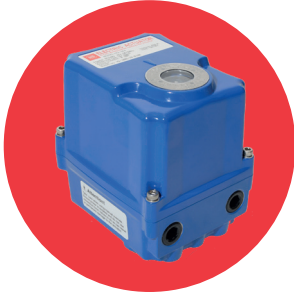


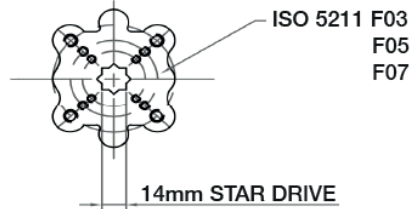
HQ4 & HQ6

HQ Electric Actuator for Albion ball and butterfly valves



Features

- Small, light and compact design
- High output torque
- Alloy gearing
- Multi voltage options



Standard Specification

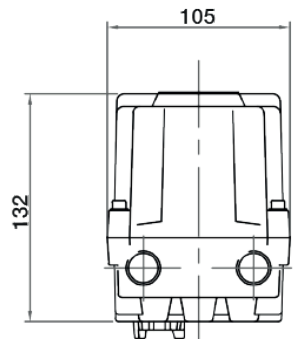
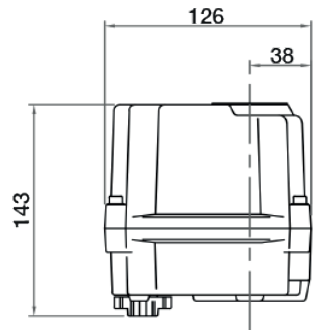
Enclosure	: Weatherproof IP67
Power supply	: 110/230v 50/60Hz, 24vAC/DC
Duty cycle (on/off duty)	: S2, 35%
Motor	: Reversible motor
Limit switches	: 2 x SPDT, 250V AC 3A
Additional limit switches	: 2 x SPDT, 250V AC 3A
Anti-condensation heater	: 2W (110/220V AC)
Manual override	: Hexagon
Conduit entries	: 2 x M20
Movement angle	: 320° ± 10° (0° to 320°)
Ambient temperature	: -20°C to 70°C
External coating	: Dry powder, polyester

Optional Specification

Enclosure	: Waterproof IP68
Conduit entries	: 2 x PG 13.5, 1/2" NPT
PIU	: Potentiometer Unit (1K - 10K)
PCU	: Proportional Control Unit (In/Out:0-10V, 4-20mA)
CPT	: Current Position Transmitter (Output 4-20mA DC)
LCU	: Local Control Unit (Remote/Open/Stop/Close s/w)

Performance

Model	Maximum Output Torque	Operating time 50/60Hz - 90°	Mounting base ISO 5211
HQ4	40NM	14/12 Sec	F03/F05/F07 14mm Star
HQ6	60NM	14/12 Sec	F03/F05/F07 14mm Star



Model	Rated Current (A)				Weight
	110VAC	220VAC	24VAC	24VDC	
HQ4	0.4	0.2	1.7	1.7	3kg
HQ6	0.4	0.2	1.7	1.7	3kg

V1. Dimensions in mm

This data sheet is designed as a guide and should not be regarded as wholly accurate in every detail. We reserve the right to amend the specification of any product without notice.