



Solenoid Valves

Issue 02



It's all at Albion

SLP Series N/C

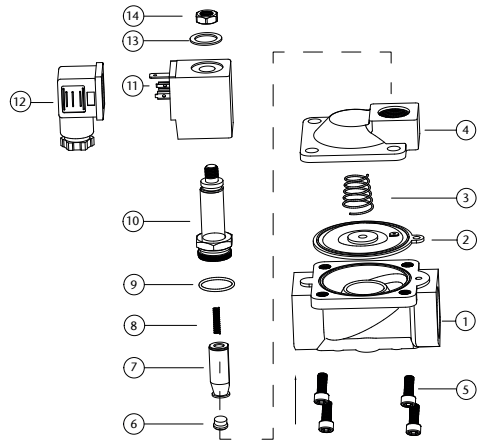
Solenoid Valves Normally Closed



Features

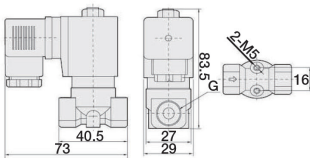
- Available in 230VAC, 110VAC, 12VDC, 24VDC, 24VAC
- Thread standard: ISO 228/1
- Coil Rating: IP 65
- Coil Duty Cycle: 100%
- EPDM model is WRAS approved
- Available sizes -
1/8", 1/4", 3/8", 1/2", 3/4", 1", 1.1/4", 1.1/2", 2"
- Flanged version available in
1", 1.1/4", 1.1/2", 2", 2.1/2", 3", 4"

N.	Part Name	Materials
1	Body	Brass
2	Diaphragm	NBR / EPDM / Viton
3	Diaphragm Spring	Stainless Steel 304
4	Valve Cover	Brass
5	Bolt	Stainless Steel 302
6	Pilot Seal	NBR / EPDM / Viton
7	Pilot	Stainless Steel 1J117
8	Pilot Spring	Stainless Steel 304
9	O-Ring	NBR / EPDM / Viton
10	Plunger Tube Unit	Stainless Steel 304 + 1J117
11	Coil	Enamelled Wire
12	Plug	Nylon
13	Washer	Stainless Steel 302
14	Lock Nut	Stainless Steel 302

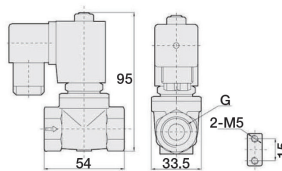


Main Dimensions

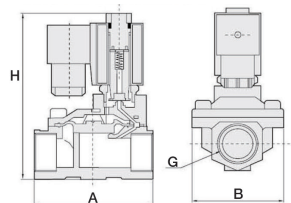
Orifice: 3mm & 4mm
Port: 1/8", 1/4" & 3/8"



Orifice: 10.5mm
Port: 1/4", 3/8" & 1/2"



Large Orifice
See table opposite



SLP Series N/C



Valve Specification

Port Size (G)	Orifice	Kv Value	Pressure Difference (Bar)				Max. Temp (°C)	VA AC 230V	VA AC 110V	VA AC 24V	W DC 24V	Diaphragm	Main Dimension AxBxH
			Min.	Air / Gas	Water / Hot Liquid	Max. Working Pressure							
1/8"	3	0.20	0	13	13	10	80	22	22	18	13	NBR	-
	3	0.20	0	13	13	-	120	22	22	18	13	EPDM	-
	3	0.20	0	13	13	10	120	22	22	18	13	VITON	-
1/4"	3	0.20	0	13	13	10	80	22	22	18	13	NBR	-
	3	0.20	0	13	13	-	120	22	22	18	13	EPDM	-
	3	0.20	0	13	13	10	120	22	22	18	13	VITON	-
	10.5	1.27	0	16	16	13	80	22	22	18	13	NBR	-
	10.5	1.27	0	16	16	-	120	22	22	18	13	EPDM	-
	10.5	1.27	0	16	16	13	120	22	22	18	13	VITON	-
3/8"	3	0.26	0	13	13	10	80	22	22	18	13	NBR	-
	3	0.26	0	13	13	10	120	22	22	18	13	EPDM	-
	3	0.26	0	13	13	10	120	22	22	18	13	VITON	-
	4	0.52	0	8	8	6	80	22	22	18	13	NBR	-
	4	0.52	0	8	8	6	120	22	22	18	13	EPDM	-
	4	0.52	0	8	8	6	120	22	22	18	13	VITON	-
	10.5	1.45	0	16	16	13	80	22	22	18	13	NBR	-
	10.5	1.45	0	16	16	-	120	22	22	18	13	EPDM	-
	10.5	1.45	0	16	16	13	120	22	22	18	13	VITON	-
	13	3.89	0.5	16	16	13	80	22	22	18	13	NBR	66x48x112
	13	3.89	0.5	16	16	-	120	22	22	18	13	EPDM	66x48x112
13	3.89	0.5	16	16	13	120	22	22	18	13	VITON	66x48x112	
1/2"	10.5	1.51	0	16	16	13	80	22	22	18	13	NBR	-
	10.5	1.51	0	16	16	-	120	22	22	18	13	EPDM	-
	10.5	1.51	0	16	16	13	120	22	22	18	13	VITON	-
	13	3.89	0.5	16	16	13	80	22	22	18	13	NBR	66x48x112
	13	3.89	0.5	16	16	-	120	22	22	18	-	EPDM	66x48x112
	13	3.89	0.5	16	16	13	120	22	22	18	-	VITON	66x48x112
3/4"	20	6.57	0.5	16	16	13	80	22	22	18	13	NBR	75x58x118
	20	6.57	0.5	16	16	-	120	22	22	18	13	EPDM	75x58x118
	20	6.57	0.5	16	16	13	120	22	22	18	13	VITON	75x58x118
1"	25	10.37	0.5	16	16	13	80	22	22	18	13	NBR	96x70x131
	25	10.37	0.5	16	16	-	120	22	22	18	13	EPDM	96x70x131
	25	10.37	0.5	16	16	13	120	22	22	18	13	VITON	96x70x131
1 1/4"	35	19.01	0.5	16	16	13	80	22	22	18	13	NBR	131x96x146
	35	19.01	0.5	16	16	-	120	22	22	18	13	EPDM	131x96x146
	35	19.01	0.5	16	16	13	120	22	22	18	13	VITON	131x96x146
1 1/2"	40	25.92	0.5	16	16	13	80	22	22	18	13	NBR	131x96x146
	40	25.92	0.5	16	16	-	120	22	22	18	13	EPDM	131x96x146
	40	25.92	0.5	16	16	13	120	22	22	18	13	VITON	131x96x146
2"	50	41.47	0.5	16	16	13	80	22	22	18	13	NBR	165x120x167
	50	41.47	0.5	16	16	-	120	22	22	18	13	EPDM	165x120x167
	50	41.47	0.5	16	16	13	120	22	22	18	13	VITON	165x120x167

V1. Dimensions in mm

This data sheet is designed as a guide and should not be regarded as wholly accurate in every detail. We reserve the right to amend the specification of any product without notice.

SLP Series N/O

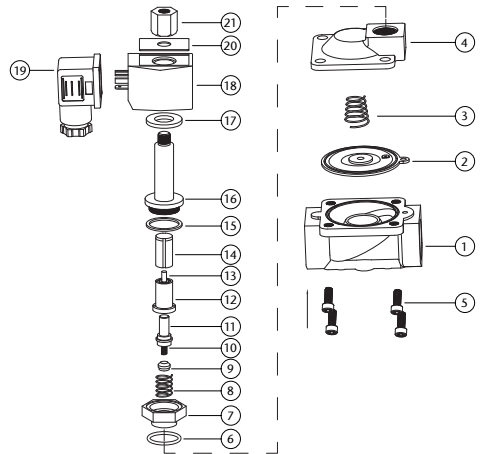
Solenoid Valves Normally Opened



Features

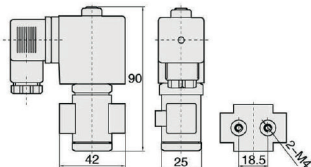
- Available in 230VAC, 110VAC, 12VDC, 24VDC, 24VAC
- Thread standard: ISO 228/1
- Coil Rating: IP 65
- Coil Duty Cycle: 100%
- EPDM model is WRAS approved
- Available sizes -
1/8", 1/4", 3/8", 1/2", 3/4", 1", 1.1/4", 1.1/2", 2"
- Flanged version available in
1", 1.1/4", 1.1/2", 2"

N.	Part Name	Materials
1	Body	Brass
2	Diaphragm	NBR / EPDM / Viton
3	Diaphragm Spring	Stainless Steel 304
4	Valve Cover	Brass
5	Bolt	Stainless Steel 302
6	O-Ring	NBR / EPDM / Viton
7	Midbody	Brass
8	Spring	Stainless Steel 304
9	Mandril Seal	NBR / EPDM / Viton
10	Spring	Stainless Steel 304
11	Mandril	Stainless Steel 304
12	Fixed Amature	Stainless Steel 1J117
13	Pole	Stainless Steel 304
14	Moving Amature	Stainless Steel 1J117
15	Plunger Tube Seal	PTFE
16	Plunger Tube Unit	Stainless Steel 304 + 1J117
17	Baseplate	Plated Steel
18	Coil	Enamelled Wire
19	Plug	Nylon
20	Plate	Aluminium
21	Lock Nut	Stainless Steel 302

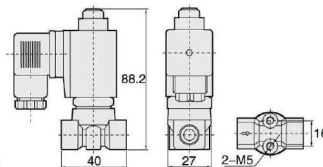


Main Dimensions

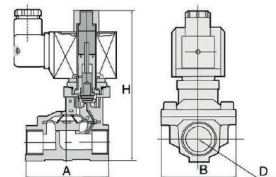
Orifice: 1mm to 2.5mm
Port: 1/8" & 1/4"



Orifice: 3mm
Port: 1/8" & 1/4"



Large Orifice
See table opposite



SLP Series N/O



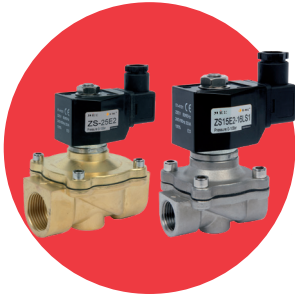
Port Size (G)	Orifice	Kv Value	Pressure Difference (Bar)			Max. Temp (°C)	VA AC 230V	VA AC 110V	VA AC 24V	W DC 24V	Diaphragm	Main Dimension AxBxH		
			Min.	Air / Gas	Water / Hot Liquid								Light Oil ≤20CST	
1/8"	1	0.03	0	30	30	25	80	20	28	43	20	NBR	-	
	1	0.03	0	30	30	-	120	20	28	43	20	EPDM	-	
	1	0.03	0	30	30	25	120	20	28	43	20	VITON	-	
	1.5	0.08	0	20	20	15	80	20	28	43	20	NBR	-	
	1.5	0.08	0	20	20	-	120	20	28	43	20	EPDM	-	
	1.5	0.08	0	20	20	15	120	20	28	43	20	VITON	-	
	2.5	0.17	0	15	15	12	80	20	28	43	20	NBR	-	
	2.5	0.17	0	15	15	-	120	20	28	43	20	EPDM	-	
	2.5	0.17	0	15	15	12	120	20	28	43	20	VITON	-	
3	3	0.22	0	12	12	10	80	20	28	43	20	NBR	-	
	3	0.22	0	12	12	-	120	20	28	43	20	EPDM	-	
	3	0.22	0	12	12	10	120	20	28	43	20	VITON	-	
	1/4"	1	0.03	0	30	30	25	80	20	28	43	20	NBR	-
		1	0.03	0	30	30	-	120	20	28	43	20	EPDM	-
		1	0.03	0	30	30	25	120	20	28	43	20	VITON	-
		1.5	0.08	0	20	20	15	80	20	28	43	20	NBR	-
		1.5	0.08	0	20	20	-	120	20	28	43	20	EPDM	-
		1.5	0.08	0	20	20	15	120	20	28	43	20	VITON	-
2.5		0.17	0	15	15	12	80	20	28	43	20	NBR	-	
2.5		0.17	0	15	15	-	120	20	28	43	20	EPDM	-	
2.5		0.17	0	15	15	12	120	20	28	43	20	VITON	-	
3	3	0.22	0	12	12	10	80	20	28	43	20	NBR	-	
	3	0.22	0	12	12	-	120	20	28	43	20	EPDM	-	
	3	0.22	0	12	12	10	120	20	28	43	20	VITON	-	
	3/8"	13	3.89	0.5	8	8	7	80	20	28	43	20	NBR	66x48x124
		13	3.89	0.5	8	8	-	120	20	28	43	20	EPDM	66x48x124
		13	3.89	0.5	8	8	7	120	20	28	43	20	VITON	66x48x124
	1/2"	13	3.89	0.5	8	8	7	80	20	28	43	20	NBR	66x48x124
		13	3.89	0.5	8	8	-	120	20	28	43	20	EPDM	66x48x124
		13	3.89	0.5	8	8	7	120	20	28	43	20	VITON	66x48x124
3/4"	20	6.57	0.5	8	8	7	80	20	28	43	20	NBR	75x58x130	
	20	6.57	0.5	8	8	-	120	20	28	43	20	EPDM	75x58x130	
	20	6.57	0.5	8	8	7	120	20	28	43	20	VITON	75x58x130	
1"	25	10.37	0.5	8	8	7	80	20	28	43	20	NBR	96x70x143	
	25	10.37	0.5	8	8	-	120	20	28	43	20	EPDM	96x70x143	
	25	10.37	0.5	8	8	7	120	20	28	43	20	VITON	96x70x143	
1 1/4"	35	19.01	0.5	8	8	7	80	20	28	43	20	NBR	131x96x158	
	35	19.01	0.5	8	8	-	120	20	28	43	20	EPDM	131x96x158	
	35	19.01	0.5	8	8	7	120	20	28	43	20	VITON	131x96x158	
1 1/2"	40	25.92	0.5	8	8	7	80	20	28	43	20	NBR	131x96x158	
	40	25.92	0.5	8	8	-	120	20	28	43	20	EPDM	131x96x158	
	40	25.92	0.5	8	8	7	120	20	28	43	20	VITON	131x96x158	
2"	50	41.47	0.5	8	8	7	80	20	28	43	20	NBR	165x120x179	
	50	41.47	0.5	8	8	-	120	20	28	43	20	EPDM	165x120x179	
	50	41.47	0.5	8	8	7	120	20	28	43	20	VITON	165x120x179	

V1. Dimensions in mm

This data sheet is designed as a guide and should not be regarded as wholly accurate in every detail. We reserve the right to amend the specification of any product without notice.

ZS Series N/C

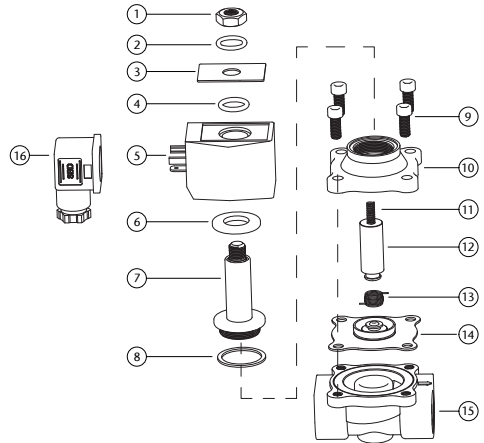
Solenoid Valves Normally Closed



Features

- Available in 230VAC, 110VAC, 12VDC, 24VDC, 24VAC
- Thread standard: ISO 228/1
- Coil Rating: IP 65
- Coil Duty Cycle: 100%
- Available sizes -
1/8", 1/4", 3/8", 1/2", 3/4", 1", 1.1/4", 1.1/2", 2"
- Flanged version available in
1", 1.1/4", 1.1/2", 2", 2.1/2", 3", 4"

N.	Part Name	Materials
1	Locknut	Stainless Steel 302
2	Washer	Stainless Steel 302
3	Plate	Aluminium
4	O-Ring	NBR / EPDM / Viton
5	Coil	Enamelled Wire
6	Baseplate	Plated Steel
7	Plunger Tube Unit	Stainless Steel 304 + 1J117
8	Plunger Tube Seal	PTFE
9	Bolt	Stainless Steel 302
10	Valve Cover	Brass / Stainless Steel 316
11	Plunger Spring	Stainless Steel 304
12	Pilot Unit	Stainless Steel 304 + 1J117
13	Coil Spring	Stainless Steel 304
14	Diaphragm Unit	NBR / EPDM / Viton
15	Body	Brass / Stainless Steel 316
16	Plug	Nylon

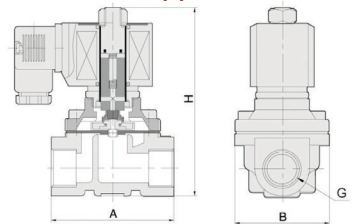
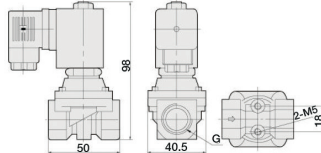
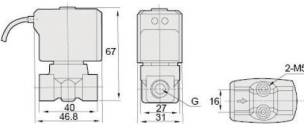


Main Dimensions

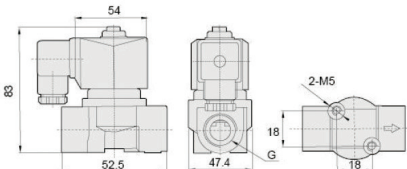
Orifice: 2.5mm
Port: 1/8" & 1/4"

Orifice: 10mm
Port: 1/4", 3/8" & 1/2"

Large Orifice
See table opposite



Orifice: 2.5mm
Port: 1/8" & 1/4"



V1. Dimensions in mm

This data sheet is designed as a guide and should not be regarded as wholly accurate in every detail. We reserve the right to amend the specification of any product without notice.

ZS Series N/C



Port Size (G)	Orifice	Kv Value	Pressure Difference (Bar)						Max. Temp (°C)	VA AC 230V	VA AC 110V	VA AC 24V	W DC 24V	Diaphragm	Main Dimension AxBxH
			Max. Working Pressure			Air / Gas									
			Min.	AC DC	AC DC	AC DC	AC DC	AC DC							
1/8"	2.5	0.2	0	7 5	7 5	7 5	80	20	28	55	24	NBR	-		
	2.5	0.2	0	7 5	7 5	- -	120	20	28	55	24	EPDM	-		
	2.5	0.2	0	7 5	7 5	7 5	120	20	28	55	24	VITON	-		
1/4"	2.5	0.2	0	7 5	7 5	7 5	80	20	28	55	24	NBR	-		
	2.5	0.2	0	7 5	7 5	- -	120	20	28	55	24	EPDM	-		
	2.5	0.2	0	7 5	7 5	7 5	120	20	28	55	24	VITON	-		
	10	0.86	0	20 16	20 16	20 16	80	20	28	55	24	NBR	-		
	10	0.86	0	20 16	20 16	- -	120	20	28	55	24	EPDM	-		
	10	0.86	0	20 16	20 16	20 16	120	20	28	55	24	VITON	-		
3/8"	4	0.52	0	8 5	8 5	5 5	80	20	28	55	24	NBR	-		
	4	0.52	0	8 5	8 5	- -	120	20	28	55	24	EPDM	-		
	4	0.52	0	8 5	8 5	5 5	120	20	28	55	24	VITON	-		
	10	1.56	0	20 16	20 16	20 16	80	20	28	55	24	NBR	-		
	10	1.56	0	20 16	20 16	- -	120	20	28	55	24	EPDM	-		
	10	1.56	0	20 16	20 16	20 16	120	20	28	55	24	VITON	-		
	16	4.15	0	10 6	10 6	7 4	80	20	28	55	24	NBR	-		
	16	4.15	0	10 6	10 6	- -	120	20	28	55	24	EPDM	-		
	16	4.15	0	10 6	10 6	7 4	120	20	28	55	24	VITON	-		
1/2"	10	1.64	0	20 16	20 16	20 16	80	20	28	55	24	NBR	-		
	10	1.64	0	20 16	20 16	- -	120	20	28	55	24	EPDM	-		
	10	1.64	0	20 16	20 16	20 16	120	20	28	55	24	VITON	-		
	16	4.15	0	10 6	10 6	7 4	80	20	28	55	24	NBR	-		
	16	4.15	0	10 6	10 6	- -	120	20	28	55	24	EPDM	-		
	16	4.15	0	10 6	10 6	7 4	120	20	28	55	24	VITON	-		
3/4"	20	6.57	0	10 6	10 6	7 4	80	20	28	55	24	NBR	73x57x114		
	20	6.57	0	10 6	10 6	- -	120	20	28	55	24	EPDM	73x57x114		
	20	6.57	0	10 6	10 6	7 4	120	20	28	55	24	VITON	73x57x114		
1"	25	10.37	0	10 6	10 6	7 4	80	20	28	55	24	NBR	99x77x121		
	25	10.37	0	10 6	10 6	- -	120	20	28	55	24	EPDM	99x77x121		
	25	10.37	0	10 6	10 6	7 4	120	20	28	55	24	VITON	99x77x121		
	25	10.37	0	10 6	3 3	- -	120	20	28	55	24	Silicon	99x77x121		
	-	-	-	-	-	-	-	20	28	55	24	Rubber	-		
1 1/4"	35	20.74	0	10 6	10 6	7 4	80	20	28	55	24	NBR	112x86.5x150		
	35	20.74	0	10 6	10 -	- -	120	20	28	55	24	EPDM	112x86.5x150		
	35	20.74	0	10 6	10 6	7 4	120	20	28	55	24	VITON	112x86.5x150		
1 1/2"	40	25.06	0	10 6	10 6	7 4	80	20	28	55	24	NBR	123x94x160		
	40	25.06	0	10 6	10 -	- -	120	20	28	55	24	EPDM	123x94x160		
	40	25.06	0	10 6	10 6	7 7	120	20	28	55	24	VITON	123x94x160		
2"	50	41.47	0	10 6	10 6	7 4	80	20	28	55	24	NBR	168x123x183		
	50	41.47	0	10 6	10 -	- -	120	20	28	55	24	EPDM	168x123x183		
	50	41.47	0	10 6	10 6	7 4	120	20	28	55	24	VITON	168x123x183		

ZS Series N/O

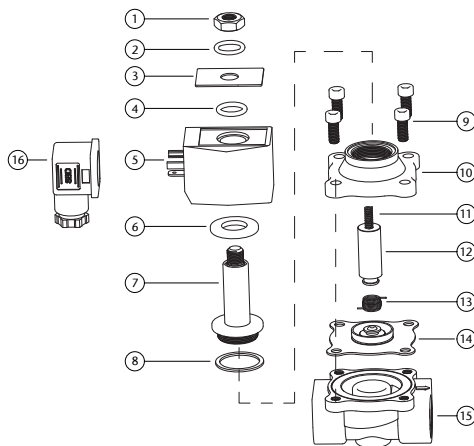
Solenoid Valves Normally Opened



Features

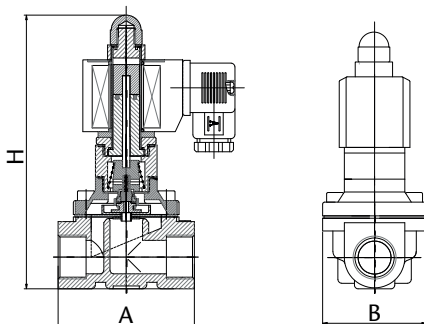
- Available in 230VAC, 110VAC, 12VDC, 24VDC, 24VAC
- Thread standard: ISO 228/1
- Coil Rating: IP 65
- Coil Duty Cycle: 100%
- Available sizes -
3/8", 1/2", 3/4", 1", 1.1/4", 1.1/2", 2"
- Flanged version available in
1", 1.1/4", 1.1/2", 2"

N.	Part Name	Materials
1	Locknut	Stainless Steel 302
2	Washer	Stainless Steel 302
3	Plate	Aluminium
4	O-Ring	NBR / EPDM / Viton
5	Coil	Enamelled Wire
6	Baseplate	Plated Steel
7	Plunger Tube Unit	Stainless Steel 304 + 1J117
8	Plunger Tube Seal	PTFE
9	Bolt	Stainless Steel 302
10	Valve Cover	Brass / Stainless Steel 316
11	Plunger Spring	Stainless Steel 304
12	Pilot Unit	Stainless Steel 304 + 1J117
13	Coil Spring	Stainless Steel 304
14	Diaphragm Unit	NBR / EPDM / Viton
15	Body	Brass / Stainless Steel 316
16	Plug	Nylon



Main Dimensions

See table opposite



ZS Series N/O

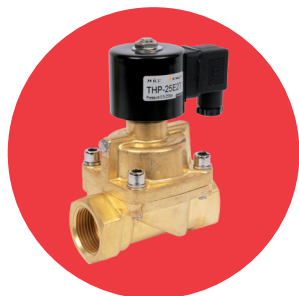


Valve Specification

Port Size (G)	Orifice	Kv Value	Pressure Difference (Bar)				Max. Temp (°C)	VA AC 230V	VA AC 110V	VA AC 24V	W DC 24V	Diaphragm	Main Dimension AxBxH
			Min.	Max. Working Pressure									
				Air / Gas AC DC	Water / Hot Liquid AC DC	Light Oil ≤20CST AC DC							
3/8"	4	0.52	0	5 3	5 3	3 3	80	33	28	43	20	NBR	52.5x32.5x115
	4	0.52	0	5 3	5 3		120	33	28	43	20	EPDM	52.5x32.5x115
	4	0.52	0	5 3	5 3	3 3	120	33	28	43	20	VITON	52.5x32.5x115
	16	4.15	0	5 3	3 5	3 3	80	33	28	43	20	NBR	69x57x135
	16	4.15	0	5 3	3 5		120	33	28	43	20	EPDM	69x57x135
	16	4.15	0	5 3	3 5	3 3	120	33	28	43	20	VITON	69x57x135
1/2"	16	4.15	0	5 3	5 3	3 3	80	33	28	43	20	NBR	69x57x135
	16	4.15	0	5 3	5 3		120	33	28	43	20	EPDM	69x57x135
	16	4.15	0	5 3	5 3	3 3	120	33	28	43	20	VITON	69x57x135
3/4"	20	6.57	0	5 3	5 3	3 3	80	33	28	43	20	NBR	73x57x142
	20	6.57	0	5 3	5 3		120	33	28	43	20	EPDM	73x57x142
	20	6.57	0	5 3	5 3	3 3	120	33	28	43	20	VITON	73x57x142
1"	25	10.37	0	5 3	5 3	3 3	80	33	28	43	20	NBR	99x77.5x150
	25	10.37	0	5 3	5 3		120	33	28	43	20	EPDM	99x77.5x150
	25	10.37	0	5 3	5 3	3 3	120	33	28	43	20	VITON	99x77.5x150
1 1/4"	32	20.74	0	5 3	5 3	3 3	80	33	28	43	20	NBR	112x86.5x180
	32	20.74	0	5 3	5 3		120	33	28	43	20	EPDM	112x86.5x180
	32	20.74	0	5 3	5 3	3 3	120	33	28	43	20	VITON	112x86.5x180
1 1/2"	40	25.06	0	5 3	5 3	3 3	80	33	28	43	20	NBR	123x94x190
	40	25.06	0	5 3	5 3		120	33	28	43	20	EPDM	123x94x190
	40	25.06	0	5 3	5 3	3 3	120	33	28	43	20	VITON	123x94x190
2"	50	41.47	0	5 3	5 3	3 3	80	33	28	43	20	NBR	168x123x216
	50	41.47	0	5 3	5 3		120	33	28	43	20	EPDM	168x123x216
	50	41.47	0	5 3	5 3	3 3	120	33	28	43	20	VITON	168x123x216

THP Series N/C

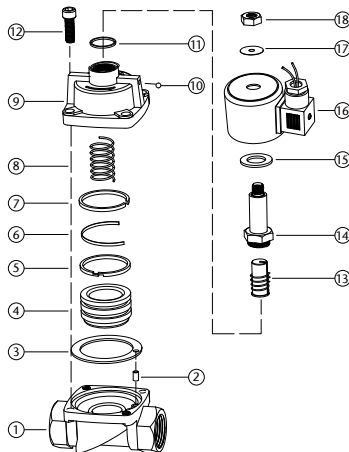
Solenoid Valves Normally Closed



Features

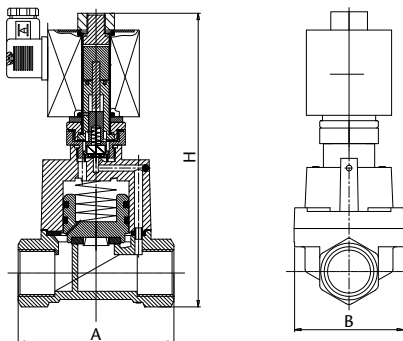
- Available in 230VAC, 110VAC, 12VDC, 24VDC, 24VAC
- Thread standard: ISO 228/1
- Coil Rating: IP 65
- Coil Duty Cycle: 100%
- Available sizes -
1/8", 1/4", 3/8", 1/2", 3/4", 1", 1.1/4", 1.1/2", 2"
- Flanged version available in
1", 1.1/4", 1.1/2", 2"

N.	Part Name	Materials
1	Body	Brass
2	Pin	Stainless Steel 304
3	Seal	PTFE
4	Piston Unit	Stainless Steel 316
5	Piston Ring 1	PTFE
6	Elastic Ring	Spring Steel
7	Piston Ring 1	PTFE
8	Piston Spring	Stainless Steel 304
9	Valve Cover	Brass
10	Bolt	Brass
11	Plunger Tube Seal	PTFE
12	Bolt	Stainless Steel 302
13	Pilot Unit	Stainless Steel 1J117
14	Plunger Tube Unit	Stainless Steel 304 + 1J117
15	Baseplate	Plated Steel
16	Coil	Enamelled Wire
17	Washer	Plated Steel
18	Lock Nut	Stainless Steel 302



Main Dimensions

See table opposite



THP Series N/C



Valve Specification

Port Size (G)	Orifice	Kv Value	Min.	Pressure Difference (Bar)						Steam	Max. Temp (°C)	VA AC 230V	VA AC 110V	VA AC 24V	W DC 24V	Diaphragm	Main Dimension Ax BxH
				Max. Working Pressure													
				Air / Gas		Water / Hot Liquid		Light Oil ≤20CST									
AC	DC	AC	DC	AC	DC	AC/DC											
1/8"	2.5	0.2	0	8	8	8	8	6	6	8	175	30	28	43	32	PTFE	48x25x85.5
	2.5	0.2	0	13	13	13	13	7	7	10	110	30	28	43	32	VITON	48x25x85.5
	4.5	0.52	0	7	4	7	4	4	4	7	165	30	28	43	32	PTFE	58x25x85.5
	4.5	0.52	0	7	4	7	4	4	4	7	110	30	28	43	32	VITON	58x25x85.5
1/4"	2.5	0.2	0	7	4	7	4	4	4	8	175	30	28	43	32	PTFE	48x25x85.5
	2.5	0.2	0	13	13	13	7	7	7	10	110	30	28	43	32	VITON	48x25x85.5
	4.5	0.52	0	7	4	7	4	4	4	7	165	30	28	43	32	PTFE	58x25x85.5
	4.5	0.52	0	7	4	7	4	4	4	7	110	30	28	43	32	VITON	58x25x85.5
3/8"	15	3.89	0.5	25	20	25	20	20	20	8	175	30	28	43	32	PTFE	75x52x129
	15	3.89	0.5	25	20	25	20	20	20	8	175	30	28	43	32	PTFE	75x52x129
3/4"	20	7.78	0.5	25	20	25	20	20	20	8	175	30	28	43	32	PTFE	85x60x141
1"	25	11.23	0.5	25	20	25	20	20	20	8	175	30	28	43	32	PTFE	100x70x148
1¼"	35	22.46	0.5	25	20	25	20	20	20	8	175	30	28	43	32	PTFE	120x90x168
1½"	35	22.46	0.5	25	20	25	20	20	20	8	175	30	28	43	32	PTFE	120x90x168
2"	50	41.47	0.5	25	20	25	20	20	20	8	175	30	28	43	32	PTFE	150x110x190

ART GSV 1/2" - 1"

Automatic Gas Solenoid Valve



EN161



GAS APPROVED

Technical data

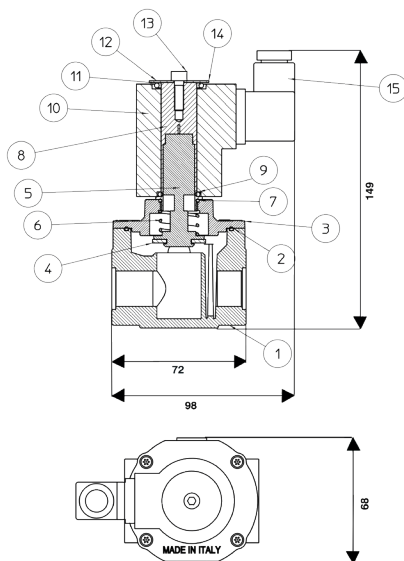
Max pressure: 360 mbar
Working temp: -20°C to +60°C

Technical Features

Opening time	<1 second
Closing time	<1 second
Max number of operations	20 per minute
Supply Voltage	230VAC, 110VAC, 24VAC, 24VDC
Power	15VA
Test point	Coils to class F 3 connections Screw 1/4" NPT
Protection degree	IP65
Weight	1/2" - 0.8kgs. 3/4" - 0.8kgs. 1" - 0.8kgs.

Features

- Screwed BSP Parallel (ISO 228/1)
- Gas family 123 and air
- Complies with PED 2014/68/EU
- Fail safe closed
- Automatic reset
- Other voltages available on request



N.	Part Name	Materials
1	Body	Aluminium Alloy
2	O-Ring	NBR
3	Cover	Aluminium Alloy
4	Gasket	NBR
5	Plunger	Steel - Brass
6	Spring	Stainless Steel 304
7	O-Ring	NBR
8	Pilot	Steel - Brass
9	O-Ring	NBR
10	Coil	Steel - Nylon - Copper
11	O-Ring	NBR
12	Washer	NBR
13	Screw	Steel
14	Washer	Stainless Steel
15	Connector	Nylon

V2 Dimensions in mm

This data sheet is designed as a guide and should not be regarded as wholly accurate in every detail. We reserve the right to amend the specification of any product without notice.

ART GSV 1¼" - 2"

Automatic Gas Solenoid Valve



EN161



Technical data

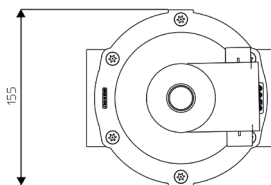
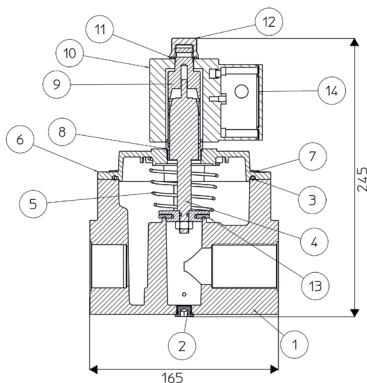
Max pressure: 360 mbar
 Working temp: -20°C to +60°C

Technical Features

Opening time	<1 second
Closing time	<1 second
Max number of operations	20 per minute
Supply Voltage	230VAC, 110VAC
Power	37W
Test point	Coils to class F 5 connections Screw ¼" NPT
Protection degree	IP65
Weight	1¼" - 4kgs. 1½" - 4kgs. 2" - 4.6kgs.

Features

- Screwed BSP Parallel (ISO 228/1)
- Gas family 123 and air
- Complies with PED 2014/68/EU
- Fail safe closed
- Automatic reset



N.	Part Name	Materials
1	Body	Aluminium Alloy
2	Screw Plugs	Aluminium Alloy
3	O-Ring	NBR
4	Plunger	Steel - Brass
5	Spring	Stainless Steel
6	Cover	Aluminium Alloy
7	Screw	Steel
8	O-Ring	NBR
9	Pilot	Steel - Brass
10	Coil	Steel - Nylon - Copper
11	O-Ring	NBR
12	Locking Ring	Aluminium Alloy
13	Gasket	NBR
14	Connector	Nylon

ART GSF 2 1/2" - 4"

Automatic Gas Solenoid Valve



EN161



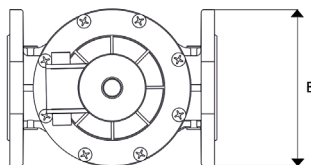
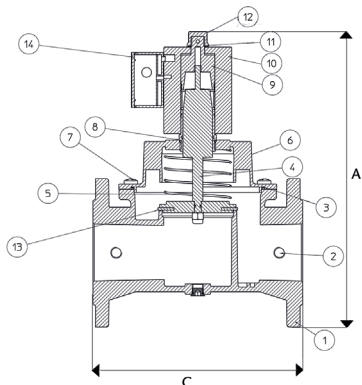
GAS APPROVED

Technical data

Max pressure: 360 mbar
Working temp: -20°C to +60°C

Features

- Flanged PN16
- Gas family 123 and air
- Complies with PED 2014/68/EU
- Fail safe closed
- Automatic reset



DN	2 1/2"	3"	4"
A	316	316	325
B	220	220	220
C	350	350	350
Kgs	9.6	9.6	15.8

N.	Part Name	Materials
1	Body	Aluminium Alloy
2	Screw Plugs	Aluminium Alloy
3	O-Ring	NBR
4	Plunger	Steel - Aluminium
5	Spring	Stainless Steel
6	Cover	Aluminium Steel
7	Screw	Steel
8	O-Ring	NBR
9	Pilot	Steel - Brass
10	Coil	Steel - Copper - Nylon
11	O-Ring	NBR
12	Locking Ring	Aluminium Alloy
13	Gasket	NBR
14	Connector	Nylon

Technical Features

Opening time	<1 second
Closing time	<1 second
Max number of operations	15 per minute
Incorporated	AISI 303 steel mesh filter
Supply Voltage	230VAC
Power	230Vac
	DN65 - DN80 - DN100 peak power 400W
	Maintain power 4W
	Coils to class F
Test point	5 connections
	Screw 1/4" NPT
Protection degree	IP65
Weight	2 1/2" - 9.6kgs. 3" - 9.6kgs. 4" - 15.8kgs

V2 Dimensions in mm

This data sheet is designed as a guide and should not be regarded as wholly accurate in every detail. We reserve the right to amend the specification of any product without notice.

Namur Solenoid

Universal Direct Mount

Namur Solenoid



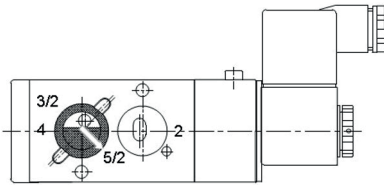
Features

- Lifecycle 12,000,000 operations
- 5/2 - 3/2 Interchangeable
- Available in 110VAC, 230VAC, 24VAC, 24VDC
- IP65
- Manual over-ride control

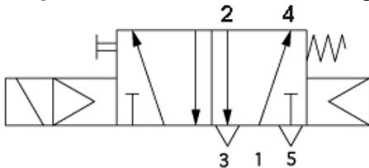
Technical data

Working pressure: 1.5 to 8 Bar
 Working temp: -20°C to +60°C

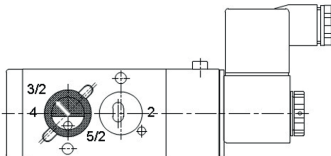
5/2 way (Double Acting Actuators)



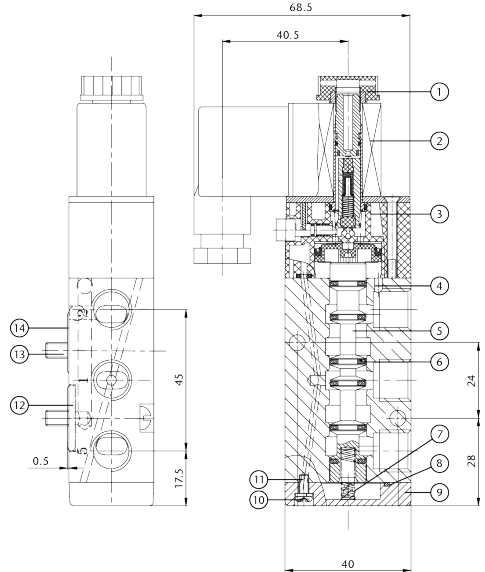
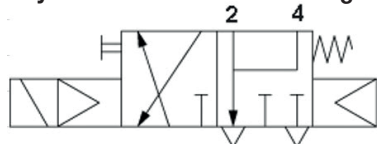
Model: V523231E4-08MG 5/2
 5/2 way with silencers function diagram



3/2 way (Spring Return Actuators)



Model: V523231E4-08MG 3/2
 3/2 way with silencers function diagram



N.	Part Name	Materials
1	Nut	PA66 (Nylon) + 30% GF (Plastic)
2	Coil (Din Plug)	Enamelled Wire & Engineering Plastic
3	Pilot Unit	Pure Steel & Cu & Stainless Steel
4	Body	6061-T6 (Aluminium Alloy)
5	Spool	6061-T6 (Aluminium Alloy)
6	Flat Ring	HNBR 80°
7	Spring	SUS304-WPB
8	Diamond Ring	NBR
9	Rear Cover	Zinc Alloy
10	Screw	Q235 (Steel)
11	Spring Washer	Q235 (Steel)
12	Switch Gasket	NBR & Q235
13	Screw	Q235 (Steel)
14	O-Ring	NBR

V1. Dimensions in mm

This data sheet is designed as a guide and should not be regarded as wholly accurate in every detail. We reserve the right to amend the specification of any product without notice.

MAGNETS

To suit Albion's Solenoid Valve Range



Features

- Available in 10mm, 15mm and 18mm. (20mm and 22mm are under development.)
- Permanent magnet moulded in ABS plastic.
- Designed to convert electrically operated Solenoid Valves into manually operated valves.
- Ideal for engineers when electricity is not available (installation process / commissioning etc).
- Handy pocket size.
- Easy to use and time saving.
- Generic design fits most solenoids.

SLP N/C

Valve Size	SLP 10	SLP 15	SLP 20	SLP 25	SLP 35	SLP 40	SLP 50
Magnet Req'd	15	15	15	15	15	15	15

SLP N/O

Valve Size	SLP 10	SLP 15	SLP 20	SLP 25	SLP 35	SLP 40	SLP 50
Magnet Req'd	15	15	15	15	15	15	15

ZS N/C

Valve Size	ZS 08	ZS 10	ZS 15	ZS 20	ZS 25	ZS 35	ZS 40	ZS 50
Magnet Req'd	15	15	15	15	15	22*	22*	22*

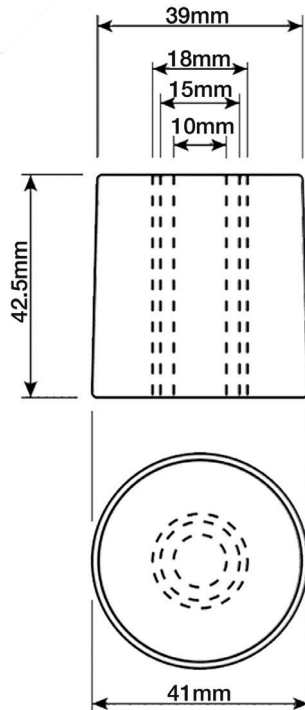
ZS N/O

Valve Size	ZS 10	ZS 15	ZS 20	ZS 25	ZS 35	ZS 40	ZS 50
Magnet Req'd	15	15	15	15	20*	20*	22*

THP N/C

Valve Size	THP 10	THP 15	THP 20	THP 25	THP 35	THP 40	THP 50
Magnet Req'd	15	15	15	15	18	18	18

*Under development, coming soon.

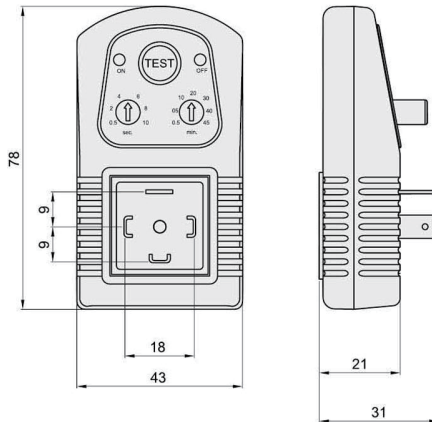


PUT Timer



Features

- Used to control Albion's range of solenoid valves.
- Range 0.5 to 10 seconds on, 30 seconds to 45 minutes off.
- LED light to indicate timing.



Coils



COIL - SLPC

24, 110, 230VAC
12, 24VDC

Orifice: 14.7
L x W x H
38.5 x 29 x 42mm



COIL - SLP-HC

Type A
24VDC,
110, 230VAC
Type B
12VDC, 24VAC

Orifice: 16.3
L x W x H
54 x 38.5 x 40mm



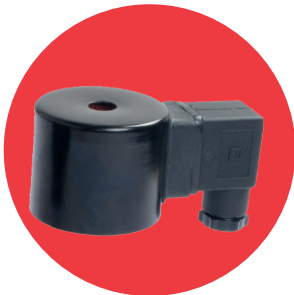
COIL - ZSC-2D

Type A
110, 230VAC

Orifice: Ø20.3
63OD x 50mm

Type B
24VAC, 12, 24VDC

Orifice: Ø20.3
73OD x 50mm



COIL - THP-C

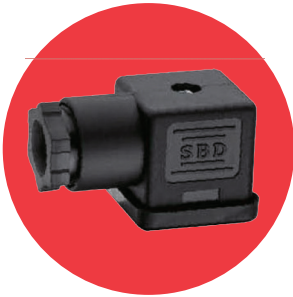
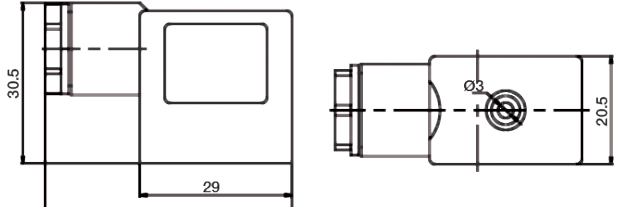
24, 110, 230VAC
24VDC

Orifice: Ø16.3
50OD x 41mm

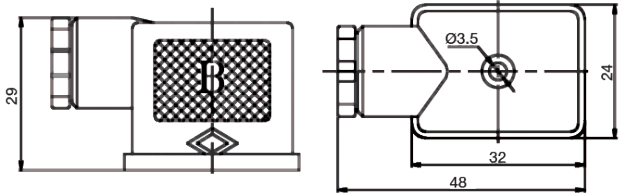
Plugs



PLUG - NAMUR SOLENOID



PLUG - SLP/ZS RANGES



PLUG - THP RANGE

