

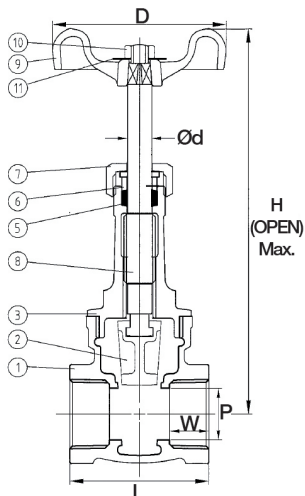
ART 365HW

PN20 Bronze Gate Valve



Features

- Available in Screwed BSP Taper (ISO 7/1) or NPT (ANSI B1.20.1)
- BS 5154 (BS EN12288) / MSS-SP-80
- Screwed bonnet
- Rising stem

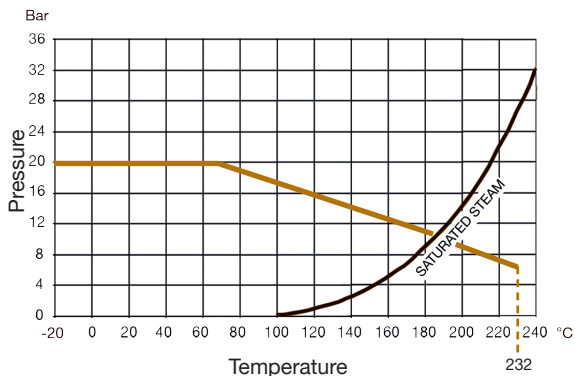


Technical data

Max pressure: 20 Bar
Working temp: -20°C to +232°C

DN	1/2"	3/4"	1"	1 1/4"	1 1/2"	2"
L	48.0	52.0	59.0	64.0	68.0	74.5
H	117	140	167	195	222	264
D	53	64	73	80	90	102
P	13.0	19.0	25.0	31.7	38.1	50.0
W	13.7	15.0	17.8	18.0	19.0	20.5
d	7.9	8.9	10.2	10.9	12.2	13.5
Kv	19.0	34.6	56.2	112.3	146.9	259.2
Kgs	0.35	0.53	0.75	1.05	1.41	2.03

N.	Part Name	Materials
1	Body	Cast Bronze ASTM B62 C83600
2	Disc	Cast Bronze ASTM B62 C83600
3	Bonnet	Cast Bronze ASTM B62 C83600
5	Stem Packing	Teflon PTFE
6	Gland	Brass ASTM B16 C36000
7	Packing Nut	Brass ASTM B16 C36000
8	Stem	Brass ASTM B16 C36000
9	Handwheel	Cast Iron ASTM A126 CLASS B
10	Wheel Nut	Steel ASTM A563 Zn Plated
11	Nameplate	Aluminium ASTM B29 1100



V2. Dimensions in mm

This data sheet is designed as a guide and should not be regarded as wholly accurate in every detail. We reserve the right to amend the specification of any product without notice.