

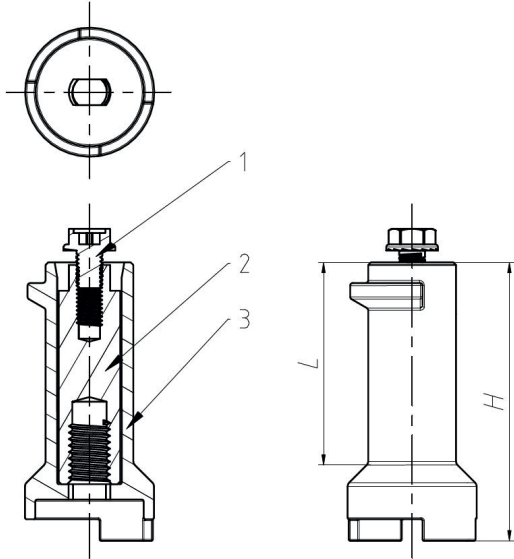
ART 97X

Thermal Extension



Features

- To suit ART 40, 41, 50, 59 and 89



DN	1/4" - 3/4" 15-22mm	1" 28mm	1.1/4" - 1.1/2" 35-42mm	2" 54mm
L	39	40	45	48
H	55	57	62	66

N.	Part Name	Materials
1	Screw	Steel Q235 Nickel Plated
2	Stem	Brass
3	Sleeve	Brass Nickel Plated