

# EasyLink PICV/S H Block complete with PICV and Strainer

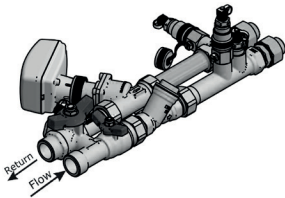


## Features

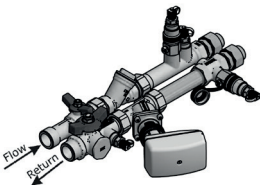
- Fitted with PICV and Strainer (mesh filter - hole size: 0.5mm)
- For direct mounting to terminal units in heating and cooling applications at 40mm centres
- Integral Venturi metering station for accurate flow verification. Kv-signal values: 0.198-0.598-1.394-2.361
- Material DZR Brass CW602N
- Integrated union joints for easy valve alignment
- Tee handle isolation valves for flow, return and bypass
- Drains on the flow and return
- PT plugs across the PICV to measure DP
- PT plug on the flow side for measuring the DP across the terminal unit
- Left and right hand versions available
- Thermic actuators available on request

## Technical data

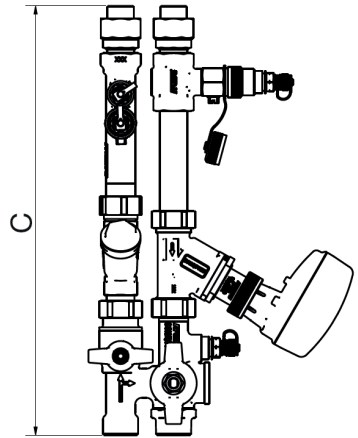
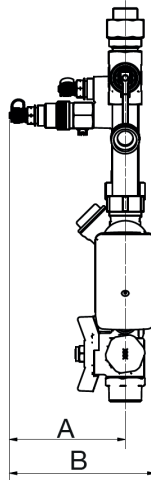
Max pressure: 20 Bar  
 Differential pressure: 800 kPa (8 Bar)  
 Working temp: 0°C to +120°C



Right hand version



Left hand version



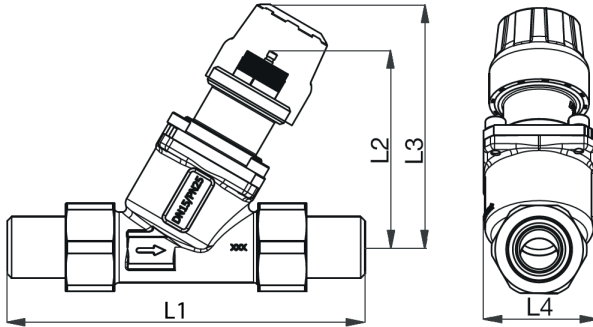
DN	DN15
A	95
B	120
C	325

Part Name	Material
Body	DZR Brass CW602N
O-Rings	EPDM

KV values (*Accuracy KV signal: +/- 5%)	
KV signal*	KV max
0.198	0.262
0.598	0.723
1.394	2.309
2.361	4.399

# EasyLink PICV/S

## H Block complete with PICV and Strainer



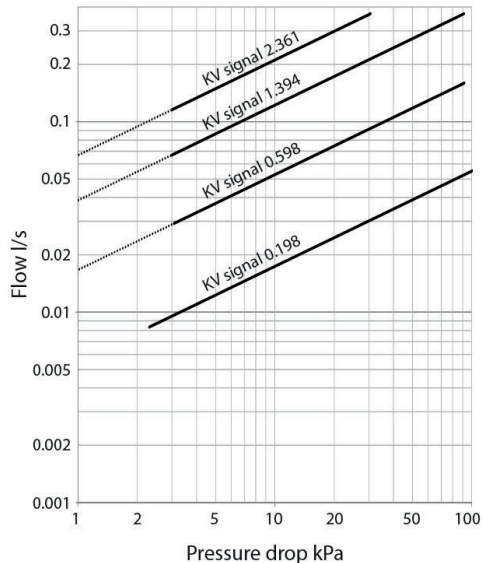
DN	DN15
<b>Thread</b>	<b>G 3/4"</b>
L1	122
L2	68
L3	83
L4	38
Kgs (Basic)	0.38
Kgs (P/T)	0.47

Part Name	Material
Body	DZR Brass CW602N
O-Rings	EPDM
Spring	Stainless Steel
DP Controller	PPS 40% glass
Diaphragm	HNBR

### PICV's Available

Stroke	mm	DN15 LOW		DN15 HIGH	
		2.5mm	5.0mm	2.5mm	5.0mm
Flow	I/h	30-200	65-370	100-575	220-1,330
	I/s	0.008-0.056	0.018-0.103	0.028-0.160	0.061-0.369
	gpm	0.13-0.88	0.29-1.63	0.44-2.53	0.97-5.85

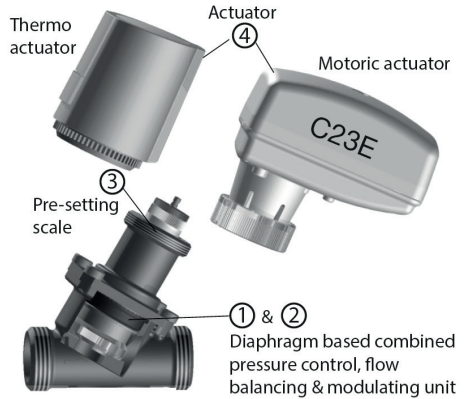
### Flow graph for Venturi Metering Station



# EasyLink PICV/S H Block complete with PICV and Strainer



1. Differential pressure control
2. Modulating control component
3. Presetting scale (not accessible when the actuator is mounted)
  - a. Flow range: Low-High
  - b. Stroke: 2.5 - 5.0
4. Actuator



## Operating Pressure

The EasyLink PICV (DN15) can operate to a maximum differential pressure of 800kPa (8 bar).

## Close Off Pressure

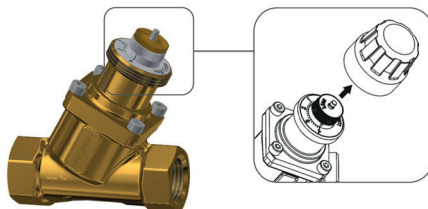
The EasyLink is capable of closing against the following differential pressures to EN 1349 Class IV:

DN15: 600kPa (6 Bar) - based on 100N actuator force

DN15: 800kPa (8 Bar) - based on 160N actuator force

## Isolation

When fitted with the isolation cap (DN15) the EasyLink is capable of isolation to a maximum of 10 bar.



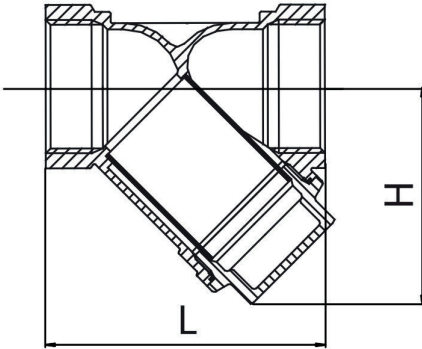
# EasyLink PICV/S

## H Block complete with PICV and Strainer



### Features

- Excellent corrosion resistance - DZR Body and Stainless Steel Filter.
- Filter Mesh (32, hole size 0.5mm) ensures high filtering performance.
- The filter can be easily replaced without removing the body of the strainer from the H Block arrangement.



DN	DN15
L	56
H	41
Kv	2.7
Kgs	0.158

Part Name	Material
Body	DZR Brass CW602N
Filter Mesh	Stainless Steel

### Differential Pressure (kPa)

