



Installation & Operating Manual



HQ3 **30NM HQ Electric** **Actuator to suit Albion's** **Ball & Butterfly Valves**

Albion Valves (UK) Ltd
www.albionvalvesuk.com
Email: sales@albionvalvesuk.com
Tel: 01226 729900



Contents

1. Introduction
2. Features
3. Optional Features
4. Wiring Data
5. Approvals Classification
6. Troubleshooting
7. Warranty

1. Introduction

- Albion Valves (UK) Ltd HQ3 Compact Electric Actuators with 30Nm output torque.
- Albion Valves (UK) Ltd HQ3 Compact Electric Actuator is available in 24V DC & 85V – 265V AC on / off control with self-detecting input voltage,
- Albion Valves (UK) Ltd HQ3 Compact Electric Actuator comes with an ISO 5211 F03, F04 & F05 direct mount, with an 11mm X 11mm direct drive & a 9mm x 9mm drive adaptor included.

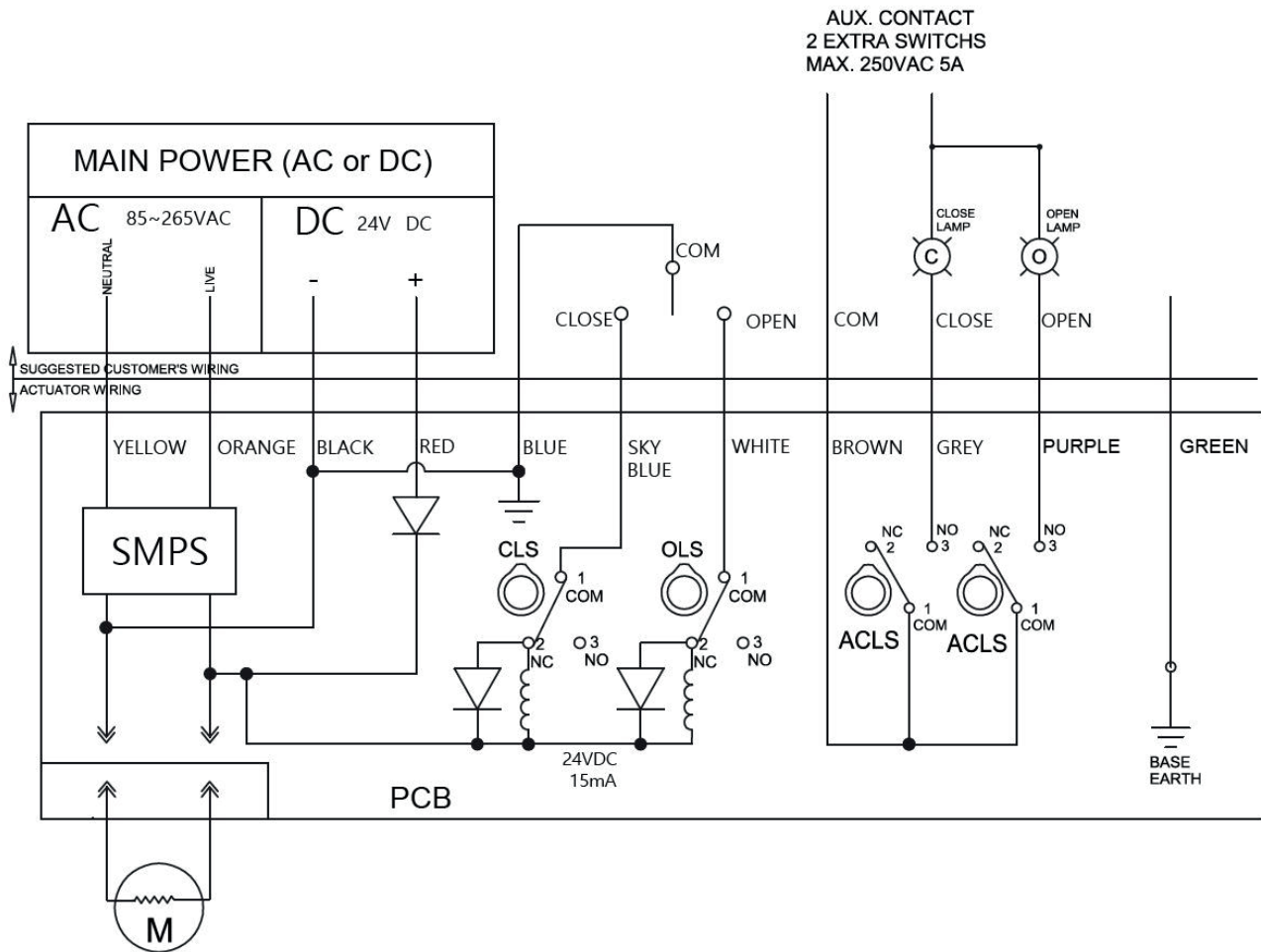
2. Features

- Compact & Lightweight
- High Corrosion Resistance
- Multi Voltage (AC 85-265 & DC 24V)
- Standard Space Heater 0.5W
- IP 67 Rating
- Manual Operation
- ISO 5211 Mounting Base (F03 / F04 / FO5)
- 4 Limit Switches
- Mechanical & Electrical Position Indicator
- 1.5m Flying Lead

3. Optional Features

- PIU – Potentiometer (1k-10k)
- PCU – Proportional Control Unit 0-10V or 4-20mA
- CPT – Current Position Transmitter (output 4-29mA DC)

4. Wiring Data



TORQUE AND LIMIT SWITCH OPERATION			
SWITCH	CLOSE ←	INTERMEDIATE	→ OPEN
CLS 1-2			
CLS 1-3			
OLS 1-2			
OLS 1-3			

SYMBOL	DESCRIPTION	RATING
CLS	CLOSE LIMIT SWITCH	250VAC 5A
OLS	OPEN LIMIT SWITCH	250VAC 5A
ACLS	AUX. CLOSE LIMIT SWITCH	250VAC 5A
AOLS	AUX OPEN LIMIT SWITCH	250VAC 5A

Each actuator should be powered through its own individual switch or relay contacts to prevent cross feed between two or more actuators.



5. Approvals Classification

- Albion Valves (UK) Ltd HQ3 Compact Electric Actuator has been tested and approved to both European Electromagnetic Compatibility Directive 2014/30EU & EU RoHS Directive 2015/863. Certification can be provided upon request.

6. Troubleshooting

- Albion Valves (UK) Ltd HQ3 Compact Electric Actuators have been rigorously tested during product development. Should you encounter any operational issues with the HQ3 Compact Electric Actuators, please contact Albion Valves (UK) Ltd for further assistance.

7. Warranty

- Albion Valves (UK) Ltd HQ3 Compact Electric Actuators are supported by a 12 month warranty. Further details can be found on our website.



About Albion Valves (UK) Ltd

Albion has been supplying valves and fittings to the building services and industrial markets for the past 40 years.

Albion was created with the sole purpose of providing quality products at an affordable price. With a growing reputation for quality and reliability, Albion is now an established brand providing the industry with a trusted alternative to premium-priced products.

Our commitment to setting the highest standards in all areas of our business means, if you're looking for quality, service, delivery and choice — you'll find it's all at Albion.

Quality

Whatever you need, you can rest assured that if it comes from Albion it has been designed and manufactured to deliver optimum performance and is accredited with the necessary approvals. Our in-house quality department are always on hand too!

Service

We pride ourselves on our customer service – we have even won awards for it! Our cradle to grave approach means you will never be on your own!

Delivery

We know that time is money, and when a priority project depends on a part you can trust Albion to deliver – next day for all orders placed before 4:00PM.

Choice

We may have started out with a single brass ball valve, but our range has grown substantially since and we now consider ourselves to be a 'One Stop Shop' with our comprehensive range. It is becoming more and more apparent to the industry, that it really is all at Albion.