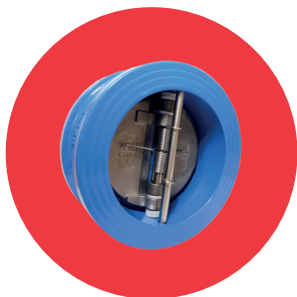


ART 121

Cast Iron Dual Plate Wafer Check Valve



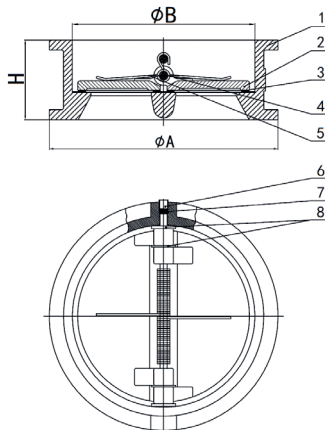
Features

- Universal Flange mounting to suit BS EN1092 PN10 / PN16 and ANSI B16.1 Class 125
- Conforms to BS EN558-1 Series 16
- Epoxy coat finish



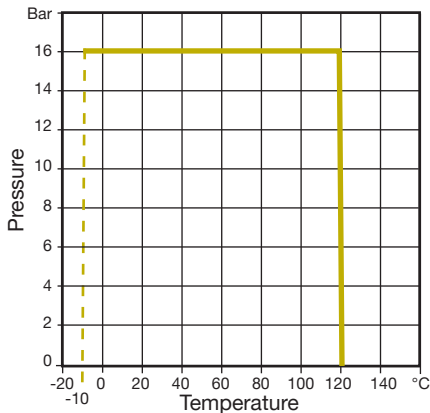
Technical data

Max pressure: 16 Bar
Working temp: -10°C to +120°C



DN	50	65	80	100	125	150	200	250	300
A	107	127	142	162	192	218	273	328	378
B	65	80	94	117	145	170	224	265	310
H	43	46	64	64	70	76	89	114	114
Kv	44	90	135	333	606	803	1435	2905	3504
Kgs	1.5	2.4	3.6	5.7	7.3	9.0	17.0	26.0	42.0

N.	Part Name	Materials
1	Body	Cast Iron GG25
2	Disc	Stainless Steel CF8M
3	Seat	EPDM
4	Shaft	Stainless Steel 420
5	Spring	Stainless Steel 316
6	Plug	Stainless Steel
7	Plug	EPDM
8	Washer	PTFE



V2 Dimensions in mm

This data sheet is designed as a guide and should not be regarded as wholly accurate in every detail. We reserve the right to amend the specification of any product without notice.