

ART 170 PN16

PN16 Cast Iron Swing Check Valve



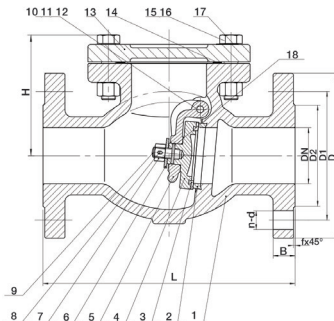
Features

- Flange mounting PN16 only
- Flange conforms to BS EN1092 PN16
- BS5153 (BS EN558-1 Series 10)



Technical data

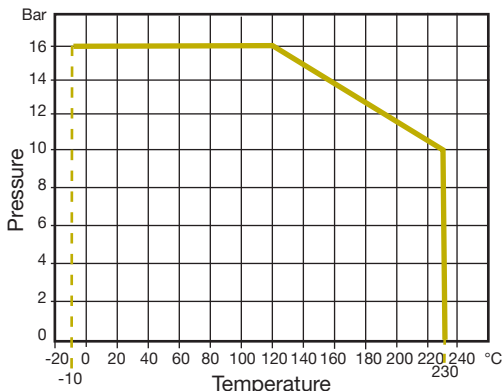
Max pressure: 16 Bar
Working temp: -10°C to +230°C



DN	50	65	80	100	125	150	200	250	300	350	400	450	500	600
L	203	216	241	292	330	356	495	622	699	787	914	914	1016	1219
D	165	185	200	220	250	285	340	405	460	520	580	640	715	840
D1	125	145	160	180	210	240	295	355	410	470	525	585	650	770
D2	99	118	132	156	184	211	266	319	370	429	480	548	609	720
B	20	20	22	24	26	26	30	32	32	36	38	40	42	48
f	3	3	3	3	3	3	3	3	4	4	4	4	4	5
n-d	4-19	4-19	8-19	8-19	8-19	8-23	12-23	12-28	12-28	16-28	16-31	20-31	20-34	20-37
H	112	132	141	162	192	211	270	316	357	560	589	645	702	812
Kv	111	161	428	516	689	1231	1835	2725	3850	-	-	-	-	-
Kgs	11.6	17.5	21.4	37.0	56.2	72.4	123.0	201.0	291.0	419.0	520.0	656.0	832.0	1260.0

N. Part Name Materials

1	Body	Cast Iron BS EN1561 EN-GJL-250
2	Seat Ring	Cast Bronze BS1400 LG2
3	Disc Ring	Cast Bronze BS1400 LG2
4	Disc Ring	Cast Iron - BS EN1561 EN-GJL-250
5	Hanger	Ductile Cast Iron BS EN1563 EN-GJS-500-7
6	Washer	Steel BS970 43A
7	Nut	Steel BS970 43A
8	Split Pin	Stainless Steel BS970 304S15
9	Disc Screw	Steel BS970 43A
10	Side Pin	Brass BS2874 CZ122
11	Gasket	Soft Steel Cardboard
12	Hanger Pin	Stainless Steel BS970 304S15
13	Bonnet	Cast Iron BS EN1561 EN-GJL-250
14	Gasket	Graphite
15	Bolt	Steel BS970 43A
16	Nut	Steel BS970 43A
17	Identification Plate	Aluminium
18	Pin	Stainless Steel BS970 304S15



V1. Dimensions in mm

This data sheet is designed as a guide and should not be regarded as wholly accurate in every detail. We reserve the right to amend the specification of any product without notice.