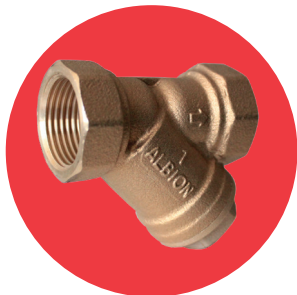


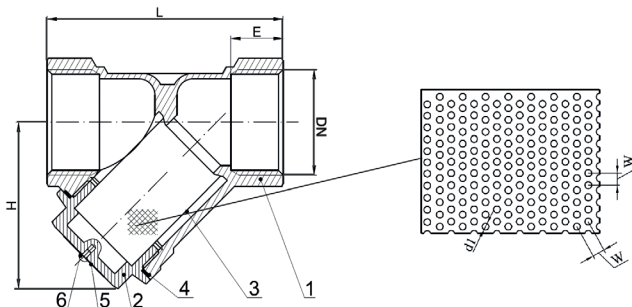
# ART 367

## PN20 Bronze 'Y' Strainer



### Features

- Screwed BSP Taper (ISO 7/1) or NPT (ANSI B1.20.1)
- Tested to BS EN 12266



### Technical data

Max pressure: 20 Bar

Working temp: -10°C to +170°C

DN	1/2"	3/4"	1"	1.1/4"	1.1/2"	2"
L	57	72	74.5	95	105	129
H	43	48.5	54	67	75.5	92
E	11.5	14	16	18	18	21
Mesh	30	30	30	20	20	20
d1	0.6	0.6	0.6	0.8	0.8	0.8
W	0.9	0.9	0.9	1.3	1.3	1.3
Kv	4.6	8.3	9.9	14.7	20.3	39.0
Kgs	0.18	0.29	0.40	0.68	0.90	1.34

### N. Part Name Materials

1	Body	Bronze C83600 ASTM B62
2	Bonnet	Bronze C83600 ASTM B62
3	Strainer	Stainless Steel 304 ASTM A240
4	Gasket	PTFE
5	Nameplate	Aluminium
6	Rivet	Stainless Steel 304 ASTM A240

