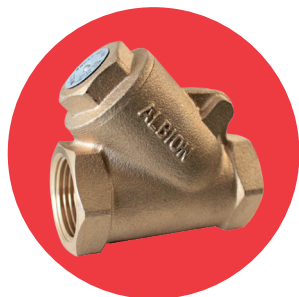


ART 388

PN20 Bronze Check Valve



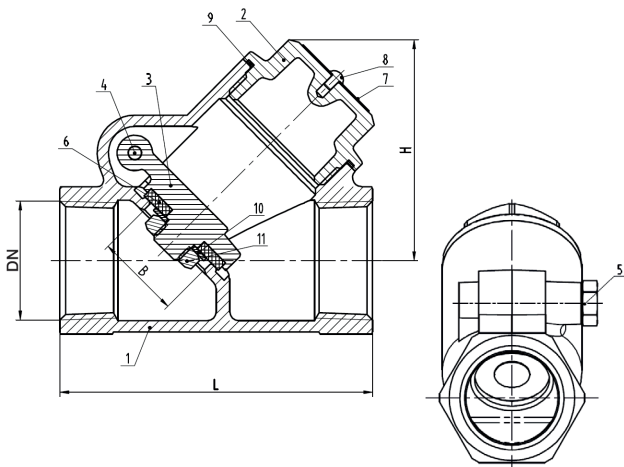
Features

- Screwed BSP Taper (ISO 7/1) or NPT (ANSI B1.20.1)
- BS5154 (BS EN 12288) / MSS-SP-80



Technical data

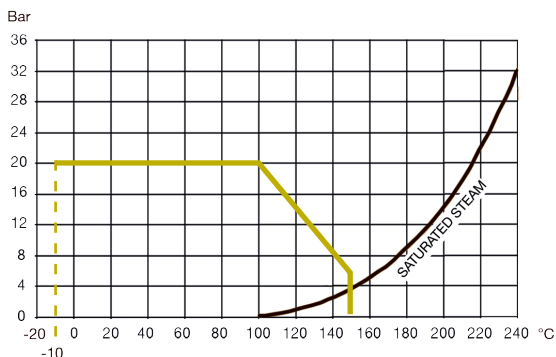
Max pressure: 20 Bar
Working temp: -10°C to +150°C



DN	1/2"	3/4"	1"	1 1/4"	1 1/2"	2"
B	12.7	19	25	31.8	38.1	50
L	58	70	80	96	110	129
H	44.5	49.0	59.0	72.0	78.0	97.0
Kv	4.3	9.7	15.0	29.8	44.9	73.0
Kgs	0.27	0.37	0.57	0.88	1.15	1.76

N. Part Name Materials

1	Body	Bronze C83600 ASTM B62
2	Bonnet	Bronze C83600 ASTM B62
3	Disc	Bronze C83600 ASTM B62
4	Pin	Stainless Steel 304 ASTM A240
5	Nut	Brass HPb59-2 C35300 ASTM B36
6	Washer	EPDM
7	Nameplate	Aluminium
8	Rivet	Stainless Steel 304 ASTM A240
9	Gasket	PTFE
10	Flat Washer	Stainless Steel 304 ASTM A240
11	Nut	Stainless Steel 304 ASTM A240



V1. Dimensions in mm

This data sheet is designed as a guide and should not be regarded as wholly accurate in every detail. We reserve the right to amend the specification of any product without notice.