

ART 670F

Pressure Reducing Valve with gauge



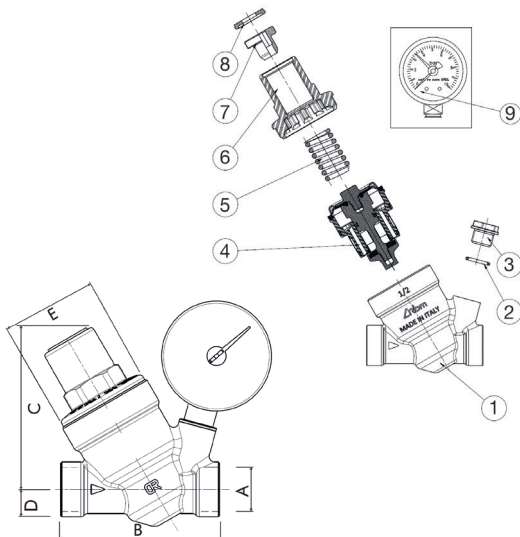
Features

- BSP Parallel Female Ends (ISO 228/1)
- Controls static and dynamic pressure
- Conforms to BS EN 1567
- Easy to service high temperature cartridge
- AISI 304 stainless steel cartridge filter
- Supplied with a pressure gauge



Technical data

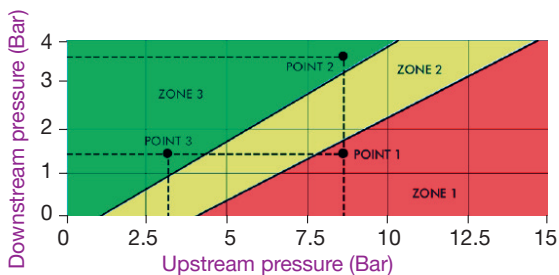
Max inlet pressure (static): 16 Bar
 Adjustable pressure range: 0.5 - 6 Bar
 Min inlet pressure: 0.5 Bar
 Max inlet temperature: 80°C
 Factory set pressure: 3 Bar



A	1/2"	3/4"
B	75	78
C	76	77
D	18	16
E	46	46
Kgs	0.48	0.54

N.	Part Name	Materials
1	Body	DZR Brass CW602N
2	O-Ring	EPDM + Perox
3	Plug	PA66 + 30% f.d.v
4	Cartridge	PA66 + 30% F.V. + colouring MACROVERS 564FA
5	Spring	EN 0270-3-1.4310
6	Bonnet	PA66+30% f.d.v.
7	Adjustable Plug	CW614N
8	Plastic Cap	PC / ABS
9	Pressure gauge	

Cavitation Chart



V1. Dimensions in mm

This data sheet is designed as a guide and should not be regarded as wholly accurate in every detail. We reserve the right to amend the specification of any product without notice.