

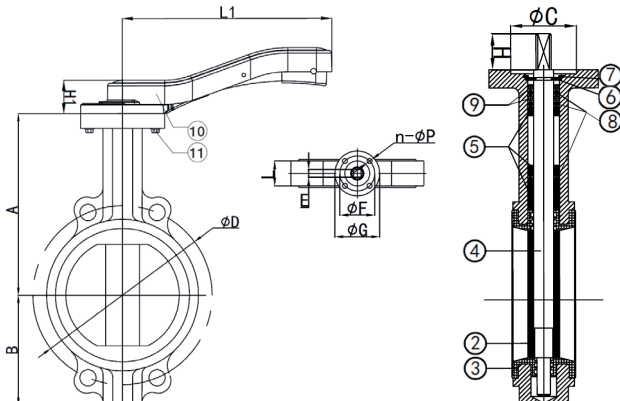
# ART 115 PN25

## PN25 Ductile Iron Butterfly Valve Wafer Type



### Features

- Flange mounting PN25 only
- BS5155 (BS EN 593)
- ISO 5211 direct mount
- Lockable handle
- Epoxy coat finish
- Vulcanised liner



### Technical data

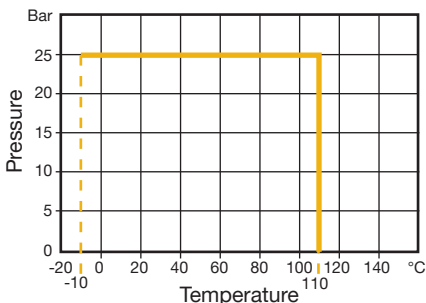
Max pressure: 25 Bar

Working temp: -10°C to +110°C

DN	50	65	80	100	125	150
A	141	153	161	178	193	204
B	61	72	87	106	123	138
C	56	56	56	56	56	56
D	125	145	160	190	220	250
ISO 5211	F07	F07	F07	F07	F07	F07
E	11	11	11	11	14	14
F	70	70	70	70	70	70
G	90	90	90	90	90	90
L	43	46	46	52	56	56
n-Øp	4-10	4-10	4-10	4-10	4-10	4-10
H	19	19	19	19	19	19
H1	31	31	31	36	36	36
L1	176	176	176	225	225	225
Torque	22	26	36	73	90	106
Kv	118	258	510	926	1500	2170
Kgs	3.50	4.30	5.00	7.00	10.00	12.50

N.	Part Name	Materials
1	Body	Ductile Iron GGG40
2	Disc	Stainless Steel 316
3	Seat	EPDM
4	Shaft	Stainless Steel 431
5	Bushing	Brass H65
6	Cotter Pin	Spring Steel 65Mn
7	Circlip	Spring Steel 65Mn
8	O-Ring	NBR
9	Ring	Nylon 6 PA6
10	Handle	Aluminium AL102
11	Bolt	Stainless Steel 304

We strongly advise gearbox on all 8", 10" and 12" valves.



V2. Dimensions in mm

This data sheet is designed as a guide and should not be regarded as wholly accurate in every detail. We reserve the right to amend the specification of any product without notice.