

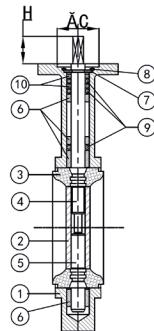
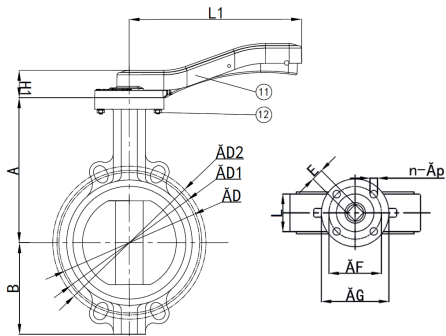
ART 115

Ductile Iron Butterfly Valve Wafer Type



Features

- Universal flange mounting PN10, PN16, ANSI 150
- BS5155 (BS EN 593) / ANSI 150
- ISO 5211 direct mount
- Lockable handle
- Epoxy coat finish
- MSS-SP-67



Technical data

Max pressure: 16 Bar

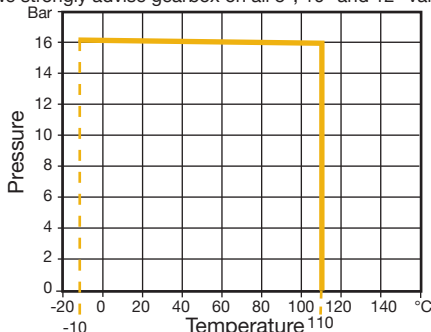
Working temp: -10°C to +110°C

DN	50	65	80	100	125	150	200	250	300
A	142.0	154.5	161.0	180.0	193.0	205.0	250.0	282.0	326.0
B	60	70	85	104	120	135	171	205	248
C	56	56	56	56	56	56	71	71	71
D - PN10	125	145	160	180	210	240	295	350	400
D1 - PN16	125	145	160	180	210	240	295	355	410
D2 - ANSI 150	120.7	139.7	152.4	190.5	215.9	241.3	298.5	362.0	431.8
ISO 5211	F07	F07	F07	F07	F07	F07	F10	F10	F10
E	11	11	11	11	14	14	17	22	22
F	70	70	70	70	70	70	102	102	102
G	90	90	90	90	90	90	125	125	125
H	19	19	19	19	19	19	25	30	30
H1	31	31	31	36	36	36	42	42	42
L	41.4	44.0	44.6	51.4	53.8	55.1	59.5	65.0	75.9
L1	176	176	176	225	225	225	300	359	359
Holes PN10	4-19	4-19	8-19	8-19	8-19	8-23	8-23	12-23	12-23
Holes PN16	4-19	4-19	8-19	8-19	8-19	8-23	12-23	12-28	12-28
Holes ANSI 150	4-19.05	4-19.05	4-19.05	8-19.05	8-22.35	8-22.35	8-22.35	12-25.4	12-25.4
n-Øp	4-10	4-10	4-10	4-10	4-10	4-10	4-12	4-12	4-12
Torque	19	21	28	43	60	91	194	295	412
Kv	118	258	510	926	1500	2170	3842	5014	9230
Kgs	2.10	2.50	3.00	3.80	5.20	6.30	11.20	17.20	32.60

N. Part Name Materials

1	Body	Ductile Iron GGG40
2	Disc	Stainless Steel 316
3	Seat	WRAS EPDM
4	Upper Shaft	Stainless Steel 420
5	Lower Shaft	Stainless Steel 420
6	Bushing	PTFE
7	Split Pin	Spring Steel 65Mn
8	Circlip	Spring Steel 65Mn
9	O-Ring	WRAS EPDM
10	Ring	Nylon 6 PA6
11	Handle	DN50-150 Aluminium DN200-300 DI
12	Bolt	Stainless Steel 304

We strongly advise gearbox on all 8", 10" and 12" valves.



V3. Dimensions in mm

This data sheet is designed as a guide and should not be regarded as wholly accurate in every detail. We reserve the right to amend the specification of any product without notice.