

ART 671

Pressure Reducing Valve with gauge



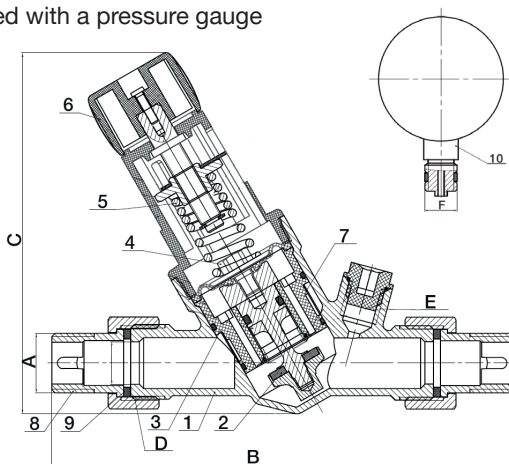
Features

- BSP Parallel Male Ends (ISO 228/1)
- Controls static and dynamic pressure
- Designed & manufactured to BS EN 1567
- Easy to service high temperature cartridge
- AISI 304 stainless steel cartridge filter
- Supplied with a pressure gauge



Technical data

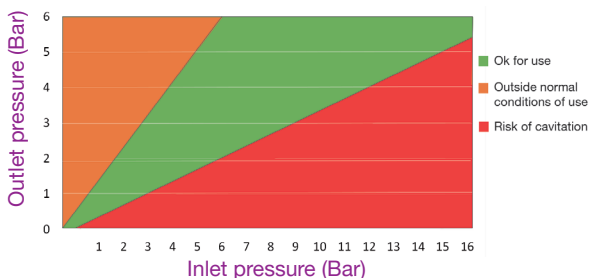
| | |
|------------------------|-------------|
| Max inlet pressure: | 16 Bar |
| Outlet pressure range: | 0.5 - 6 Bar |
| Min inlet pressure: | 1 Bar |
| Operating temperature: | 0°C - 80°C |
| Factory set pressure: | 3 Bar |



| | A | 1/2" | 3/4" | 1" | 1.1/4" | 1.1/2" | 2" |
|-----|------|------|--------|--------|--------|--------|----|
| B | 163 | 163 | 205 | 214 | 239 | 254 | |
| C | 128 | 131 | 164 | 174 | 186 | 199 | |
| D | 3/4" | 1" | 1.1/4" | 1.1/2" | 2" | 2.1/2" | |
| E | 1/4" | 1/4" | 1/4" | 1/4" | 1/4" | 1/4" | |
| F | 1/4" | 1/4" | 1/4" | 1/4" | 1/4" | 1/4" | |
| Kv | 1.7 | 2.1 | 3.7 | 5.5 | 5.9 | 6.7 | |
| Kgs | 0.76 | 0.92 | 1.49 | 1.90 | 2.61 | 3.71 | |

| N. | Part Name | Materials |
|----|-----------------|----------------------------------|
| 1 | Body | DZR Brass CW602N / Nickel Plated |
| 2 | Disc | DZR Brass CW602N |
| 3 | Cartridge | Polyoxymethelene |
| 4 | Seat | DZR Brass CW602N |
| 5 | Spring | Stainless Steel 304 |
| 6 | Adjustable Knob | Polyamid / 6T |
| 7 | Filter | Stainless Steel 302 |
| 8 | Male Union End | DZR Brass CW602N / Nickel Plated |
| 9 | Seal | EPDM |
| 10 | Pressure Gauge | Steel Casing / Glycerine Filled |

Cavitation Chart



V2. Dimensions in mm

This data sheet is designed as a guide and should not be regarded as wholly accurate in every detail. We reserve the right to amend the specification of any product without notice.