

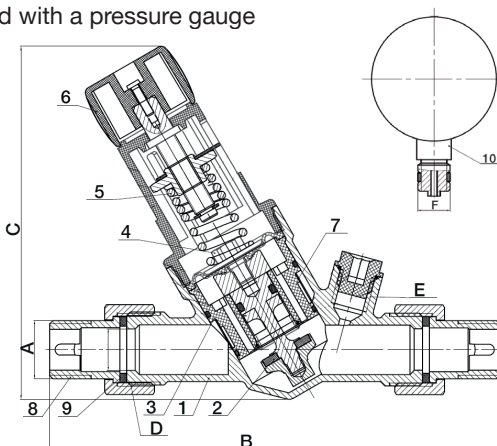
ART 671

Pressure Reducing Valve with gauge



Features

- BSP Parallel Male Ends (ISO 228/1)
- Controls static and dynamic pressure
- Designed & manufactured to BS EN 1567
- Easy to service high temperature cartridge
- AISI 304 stainless steel cartridge filter
- Supplied with a pressure gauge



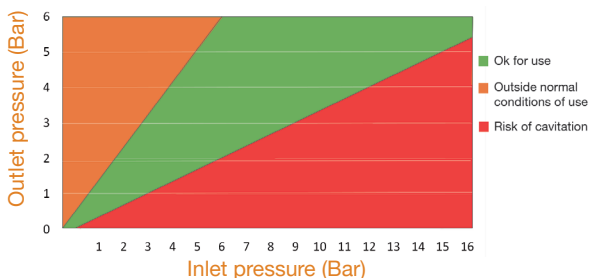
Technical data

Max inlet pressure:	16 Bar
Outlet pressure range:	0.5 - 6 Bar
Min inlet pressure:	1 Bar
Operating temperature:	0°C - 80°C
Factory set pressure:	3 Bar

	1/2"	3/4"	1"	1.1/4"	1.1/2"	2"
A						
B	163	163	205	214	239	254
C	128	131	164	174	186	199
D	3/4"	1"	1.1/4"	1.1/2"	2"	2.1/2"
E	1/4"	1/4"	1/4"	1/4"	1/4"	1/4"
F	1/4"	1/4"	1/4"	1/4"	1/4"	1/4"
Kv	1.7	2.1	3.7	5.5	5.9	6.7
Kgs	0.76	0.92	1.49	1.90	2.61	3.71

N.	Part Name	Materials
1	Body	DZR Brass CW602N / Nickel Plated
2	Disc	DZR Brass CW602N
3	Cartridge	Polyoxymethelene
4	Seat	DZR Brass CW602N
5	Spring	Stainless Steel 304
6	Adjustable Knob	Polyamid / 6T
7	Filter	Stainless Steel 302
8	Male Union End	DZR Brass CW602N / Nickel Plated
9	Seal	EPDM
10	Pressure Gauge	Steel Casing / Glycerine Filled

Cavitation Chart



V2. Dimensions in mm

This data sheet is designed as a guide and should not be regarded as wholly accurate in every detail. We reserve the right to amend the specification of any product without notice.