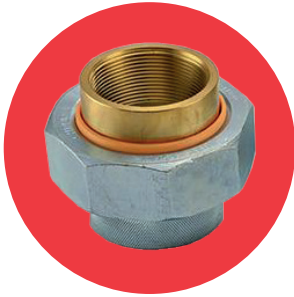


DEUFF

Dielectric Union



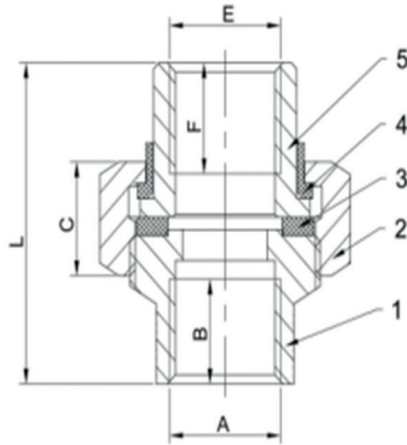
Features

- Female iron pipe thread to female brass thread
- Available with BSP Parallel threads (ISO 228/1) or NPT threads (ANSI B1.20.1)
- Complies with ASSE 1079

Technical data

Max. pressure: 17.2 Bar (250psi)

Max. temp: 82°C (180°F)



DN	1/2"	3/4"	1"	1 1/4"	1 1/2"	2"
A	G1/2"	G3/4"	G1"	G1.1/4"	G1.1/2"	G2"
B	17	18	20	21	22	24
C	20	22	22	25	28	33
E	G1/2"	G3/4"	G1"	G1.1/4"	G1.1/2"	G2"
F	18	19	23	25	25	27
L	52	56	63	68	74	81
Kgs	0.25	0.26	0.29	0.43	0.65	1.10

N.	Part Name	Materials
1	IPS Connection	Steel / Zinc Plated
2	Nut	Steel / Zinc Plated
3	Gasket	NBR (EPDM option)
4	Insert	Nylon
5	Connection	Brass