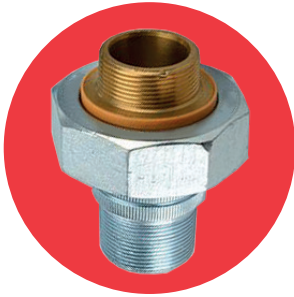


DEUMM

Dielectric Union



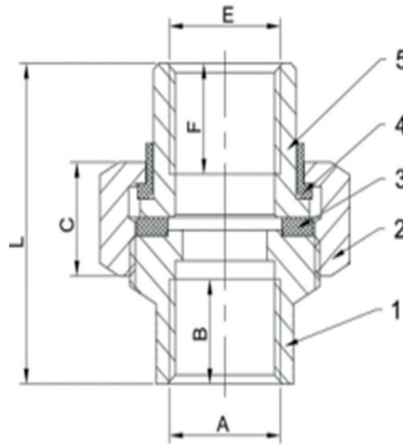
Features

- Male iron pipe thread to male brass pipe threaded connections
- Available with BSP Parallel threads (ISO 228/1) or NPT threads (ANSI B1.20.1)
- Complies with ASSE 1079

Technical data

Max. pressure: 17.2 Bar (250psi)

Max. temp: 82°C (180°F)



DN	1/2"	3/4"	1"	1 1/4"	1 1/2"	2"
A	G1/2"	G3/4"	G1"	G1.1/4"	G1.1/2"	G2"
B	40	42	50	51	52	54
C	19	20	22	25	28	28
E	G1/2"	G3/4"	G1"	G1.1/4"	G1.1/2"	G2"
F	16.0	18.0	20.0	22.0	22.0	20.5
L	77	82	94	100	106	112
Kgs	0.24	0.32	0.51	0.96	1.78	1.68

N.	Part Name	Materials
1	IPS Connection	Steel / Zinc Plated
2	Nut	Steel / Zinc Plated
3	Gasket	NBR (EPDM option)
4	Insert	Nylon
5	Connection	Brass