

ART 237

PN16 Ductile Iron Flanged Double Check Valve

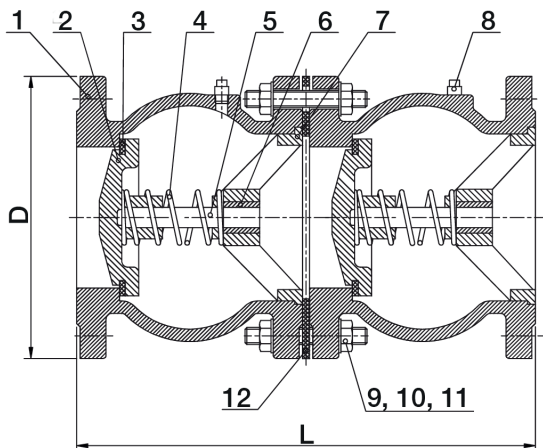


Technical data

Max pressure: 16 Bar
Working temp: -10°C to +85°C

Features

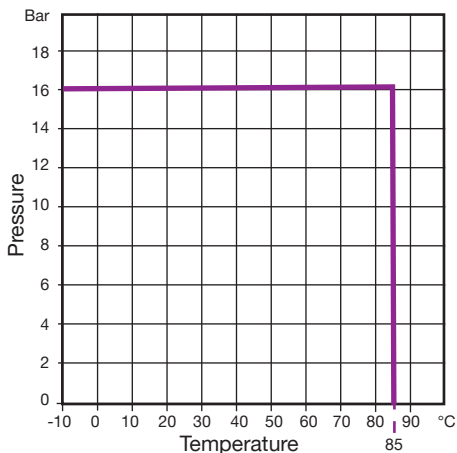
- Flange mounting PN16 only (EN1092-2)
- Operates in any position
- Epoxy coat finish
- WRAS Approved as a non-return valve



DN	50	65	80	100	125	150	200	250	300
L	203	243	283	343	403	463	579	711	823
D	165	185	200	220	250	285	340	405	460
KV	89.9	109.7	133.9	240.2	375.8	540.0	963.4	1529.3	2160.0
Kgs	16.6	21.0	27.0	35.0	57.0	78.0	106.0	173.0	253.0

N. Part Name Materials

1	Body	Ductile Iron EN-GJS-450-10
2	Disc	Ductile Iron EN-GJS-450-10
3	Disc Trim	EPDM
4	Spring	Stainless Steel 304
5	Stem	Stainless Steel 304
6	Bushing	Brass
7	Guide	Ductile Iron EN-GJS-450-10
8	Plug	Stainless Steel 304 (Rc 1/4)
9	Stud	Carbon Steel, Zinc Plated BS EN 3692 Grade 8.8
10	Nut	Carbon Steel, Zinc Plated BS EN 3692 Grade 8
11	Washers	Stainless Steel 304
12	Gasket	EPDM



V1 Dimensions in mm

This data sheet is designed as a guide and should not be regarded as wholly accurate in every detail. We reserve the right to amend the specification of any product without notice.