

ART 112GB

Ductile Iron Butterfly Valve Wafer Type with Gearbox



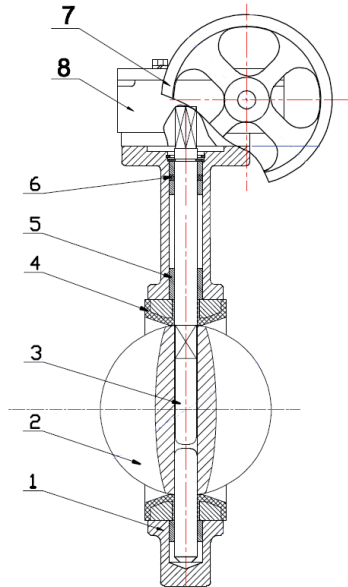
Features

- Universal flange mounting PN10, PN16, ASA150
- BS5155 (BS EN 593)
- ISO 5211 direct mount
- Epoxy coat finish

Technical data

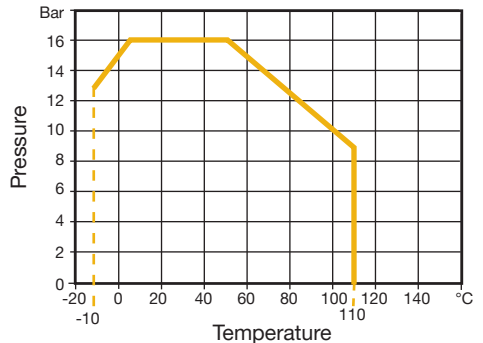
Max pressure: 16 Bar

Working temp: -10°C to +110°C

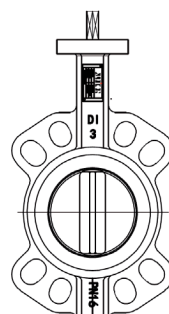
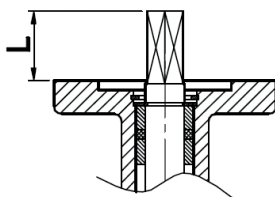
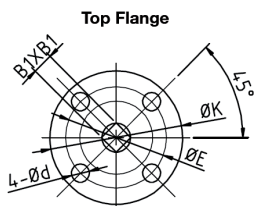
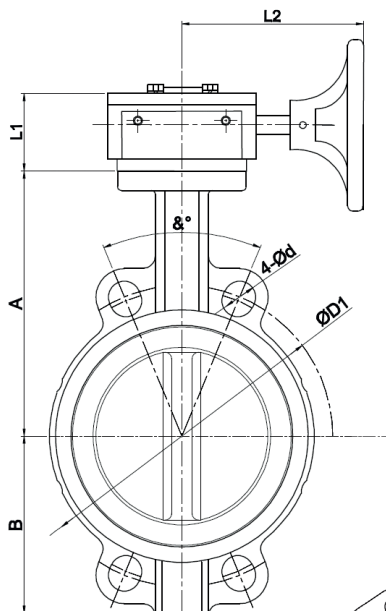
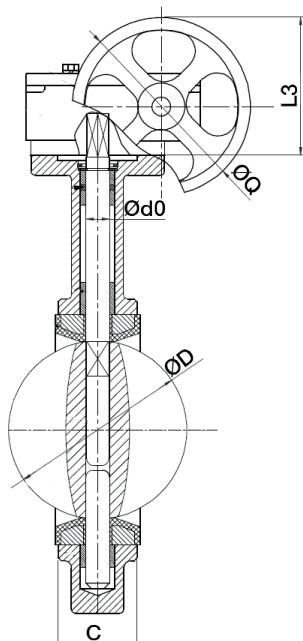


N. Part Name Materials

1	Body	Ductile Iron GGG40
2	Disc	Nickel Plated Ductile Iron GGG40
3	Shaft	Stainless Steel 410
4	Seat	EPDM
5	Bushing	PTFE
6	O-Ring	NBR
7	Handwheel	Cast Iron
8	Gear	Cast Iron



ART 112GB



DN80 Only
Double Lugged

DN	40	50	65	80	100	125	150	200	250	300	350
A	120	140	150	158	176	190	211	235	265	305	368
B	63	80	89	95	114	127	139	175	203	242	267
C	34	42	44.7	46	52	54.4	55.8	60.6	65.6	76.9	76.5
D	41.8	52.9	64.5	78.8	104	123.3	155.1	202.5	250.5	301.5	333.3
d0	12.6	12.6	12.6	12.6	15.7	18.92	18.92	22.1	28.45	31.6	31.6
B1	9	9	9	9	11	14	14	17	22	22	22
L	26	26	26	26	28	28	28	36	36	38	42
D1	110	125	145	160	180	210	240	295	355	410	470
4-Ød	4-19	4-19	4-19	4-19	4-19	4-19	4-23	4-23	4-23	4-23	4-23
&°	90°	90°	90°	45°	45°	45°	45°	45°	30°	30°	22.5°
L1	62	62	62	62	62	62	62	76	76	75	75
L2	156	156	156	156	156	156	156	208	208	186	186
L3	106.5	106.5	106.5	106.5	106.5	106.5	106.5	178.5	178.5	177	177
Q	147	147	147	147	147	147	147	278	278	278	278
Kv	99	168	259	514	876	1353	2687	4576	7069		
Kgs	5.1	5.8	6.2	7.3	8.6	10.6	11.2	21.2	29.0	38.4	48.1