

# ART 125GB PN25

## DN350-600 Ductile Iron Butterfly Valve Wafer Type



### Features

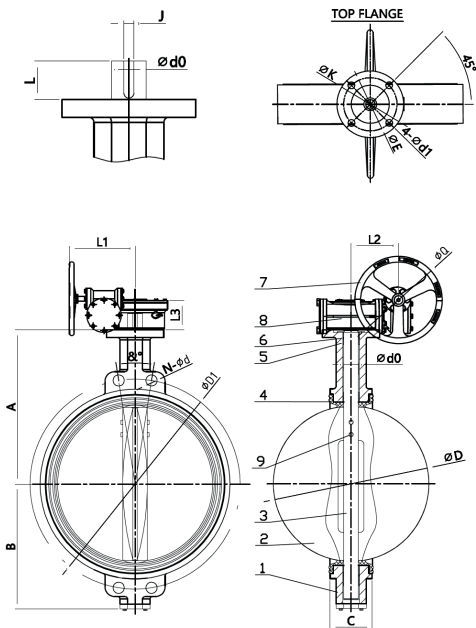
- Flanged mounting PN25 only
- BS5155 (BS EN 593)
- ISO 5211 direct mount
- Epoxy coat finish

### Technical data

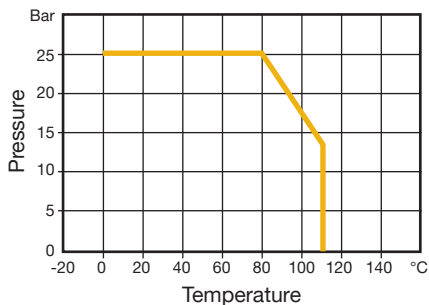
Max pressure: 25 Bar

Working temp: 0°C to +110°C

DN	14"	16"	18"	20"	24"
A	368	400	422	480	562
B	267	325	355	400	460
C	76.5	102	114	127	154
D	334	390	442	492	594
d0	31.6	37.95	42.86	45.72	53.98
J	22*22	10	10	10	16
L	42	50	50	60	60
K	125	175	175	210	210
E	102	140	140	165	165
4-d1	4-12	4-18	4-18	4-23	4-23
D1	490	550	600	660	770
N-Ød	4-34	4-36	4-36	4-36	4-40
&°	22.5	22.5	18	18	18
L1	75	254	254	301	301
L2	186	104	104	131	131
L3	177	110	110	128	128
ØQ	278	290	290	385	385
Torque	937.5	1440.0	1852.5	2340.0	3757.5
Kv	10212	14043	18599	23914	36946



N.	Part Name	Materials
1	Body	Ductile Iron EN GJS 400-15
2	Disc	Stainless Steel 316
3	Shaft	Stainless Steel 431
4	Seat	EPDM
5	Bushing	PTFE
6	O-Ring	NBR
7	Handwheel	Cast Iron
8	Gear	Ductile Iron
9	Pin	Stainless Steel 316



V1. Dimensions in mm

This data sheet is designed as a guide and should not be regarded as wholly accurate in every detail. We reserve the right to amend the specification of any product without notice.