

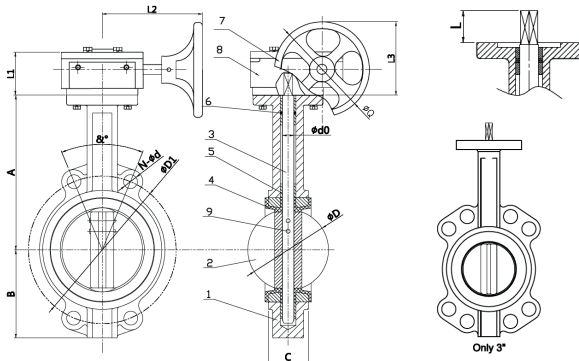
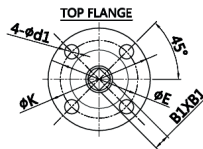
ART 125GB PN25

Ductile Iron Butterfly Valve Wafer Type



Features

- Flanged mounting PN25 only
- BS5155 (BS EN 593)
- ISO 5211 direct mount
- Epoxy coat finish



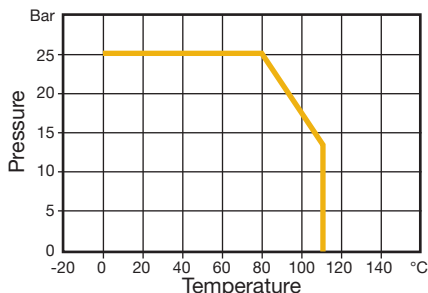
Technical data

Max pressure: 25 Bar

Working temp: 0°C to +110°C

DN	2"	2 1/2"	3"	4"	5"	6"	8"	10"	12"
A	161	175	181	200	213	226	260	292	337
B	80	89	95	114	127	139	175	203	242
C	42	44.7	46	52	54.4	55.8	60.6	65.6	76.9
D	53	65	79	104	124	156	203	251	302
d0	12.6	12.6	12.6	15.77	18.92	18.92	22.1	28.45	31.6
B1	11	11	11	11	14	14	17	22	22
L	26	26	26	28	28	28	36	36	38
K	90	90	90	90	90	90	125	125	125
E	70	70	70	70	70	70	102	102	102
4-d	4-10	4-10	4-10	4-10	4-10	4-10	4-12	4-12	4-12
D1	125	145	160	190	220	250	310	370	430
4-Ød	4-19	4-19	4-19	4-23	4-28	4-28	4-28	4-31	4-31
&°	90°	45°	45°	45°	45°	45°	30°	30°	22.5°
L1	62	62	62	62	62	62	76	76	75
L2	156	156	156	156	156	156	208	208	186
L3	106.5	106.5	106.5	106.5	106.5	106.5	178.5	178.5	177.0
Q	147	147	147	147	147	147	278	278	278
Torque	19.5	22.1	29.9	53.3	84.5	136.5	249.6	419.9	637.0
Kv	90.97	191.44	360.93	892.66	995.29	1705.87	3182.92	4961.15	9252.07

N.	Part Name	Materials
1	Body	Ductile Iron EN GJS 400-15
2	Disc	Stainless Steel 316
3	Shaft	Stainless Steel 431
4	Seat	EPDM
5	Bushing	PTFE
6	O-Ring	NBR
7	Handwheel	Cast Iron EN GJL 250
8	Gear	Cast Iron EN GJL 250
9	Pin	Stainless Steel 316



V1. Dimensions in mm

This data sheet is designed as a guide and should not be regarded as wholly accurate in every detail. We reserve the right to amend the specification of any product without notice.