

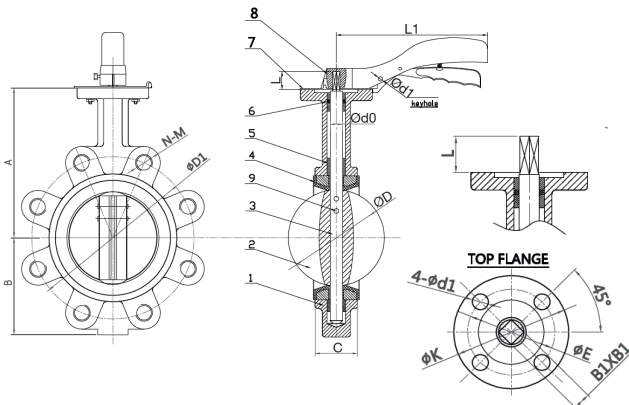
# ART 140 PN25

## Ductile Iron Butterfly Valve Lugged & Tapped



### Features

- Flanged mounting PN25 only
- BS5155 (BS EN 593)
- ISO 5211 direct mount
- Lockable handle
- Epoxy coat finish



### Technical data

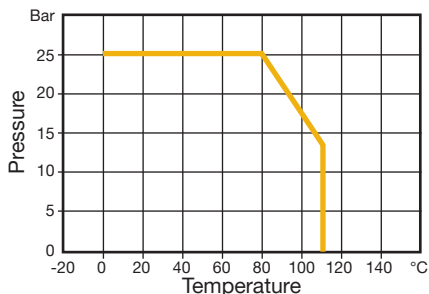
Max pressure: 25 Bar

Working temp: 0°C to +110°C

DN	2"	2 1/2"	3"	4"	5"	6"
A	140	150	158	176	190	211
B	80	89	95	114	127	139
C	42	44.7	46	52	54.4	55.8
D	53	65	79	104	124	156
d0	12.6	12.6	12.6	15.77	18.92	18.92
d1	6	6	6	6	6	6
B1	11	11	11	11	14	14
L	26	26	26	26	28	28
L1	215	215	215	215	215	215
K	90	90	90	90	90	90
E	70	70	70	70	70	70
4-d1	10	10	10	10	10	10
D1	125	145	160	190	220	250
N-M	4-M16	8-M16	8-M16	8-M20	8-M24	8-M24
Torque	19.5	22.1	29.9	53.3	84.5	136.5
Kv	90.97	191.44	360.93	892.66	995.29	1705.87

### N. Part Name Materials

1	Body	Ductile Iron EN GJS 400-15
2	Disc	Stainless Steel 316
3	Shaft	Stainless Steel 431
4	Seat	EPDM
5	Bushing	PTFE
6	O-Ring	NBR
7	Indicator	Carbon Steel
8	Handle	Aluminium
9	Pin	Stainless Steel 316



V1. Dimensions in mm

This data sheet is designed as a guide and should not be regarded as wholly accurate in every detail. We reserve the right to amend the specification of any product without notice.