

# ART 34NPT

## Thermostatic Mixing Valve (TMV)



### Features

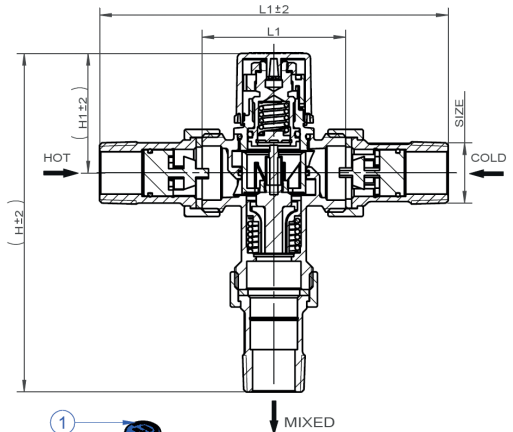
- Cold water supply temperature 4.4°C - 26.6°C
- Hot water supply temperature 48.8°C - 82.2°C
- Temperature adjustment range 30°C - 49°C
- Working temperature range 38°C - 44°C
- Factory temperature setting 41°C ±2°C
- Mix temperature stability 1.7°C
- Max supply pressure 125psi
- Temperature differential 11°C
- Maximum temperature 90°C
- Flow rate minimum 4 litres/min (1gpm)
- ASSE 1017 Approved



### Technical data

Max supply pressure 125psi  
Temp adjustment range 30°C to 49°C

DN	1/2"	3/4"
H	136.2	143.7
H1	50.1	50.7
L	135	146
L1	59	61
Kgs	0.56	0.76



### N. Part Name Materials

1	Cap	ABS
2	Locking Cap	Brass CW617N
3	Locating Ring	POM+25%GF
4	Bonnet	Brass C46500
5	O-Ring	EPDM WRAS approved
6	Stem	Brass C46500
7	O-Ring	EPDM WRAS approved
8	Spring	Stainless Steel 304
9	Block	Brass C46500
10	Circlip	Stainless Steel 304
11	Piston	PSU
12	Thermostat Assembly	
13	Water Flow Directors	PSU
14	O-Ring	EPDM WRAS approved
15	Spring	Stainless Steel 304
16	Valve Body	Brass C46500
17	Gasket	EPDM WRAS approved
18	Check Valve	Acetal
19	Strainer	Stainless Steel 304
20	Connect Pipe	Brass C46500
21	Union Nut	Brass CW617N

