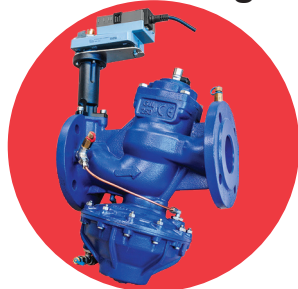


ART 200

Pressure Independent Control & Balancing Valve (PICV or PIBCV)

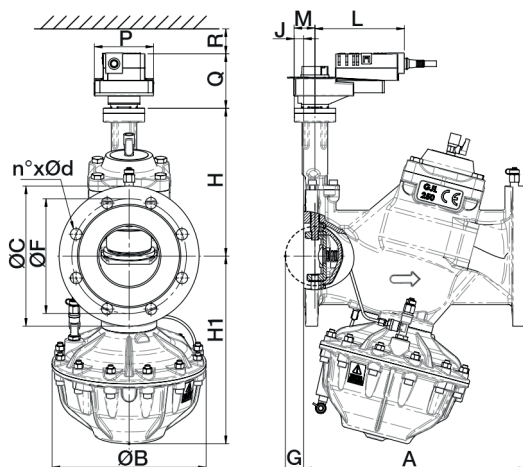


Features

- Available as actuated PICV or manual CFR
- Automatic flow balancing in the event of fluctuating pressure conditions in system braches
- Linear regulations with Equal Percentage option
- Flow rate measurement incorporated
- Isolation shut-off facility
- Water Hammer protection features for valve and actuator
- Gearbox allows position lock and flow reading

Technical data

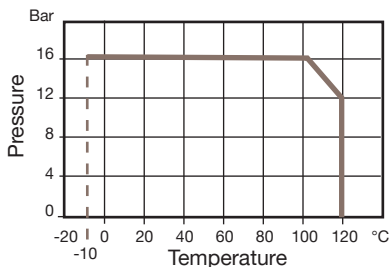
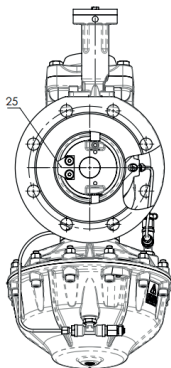
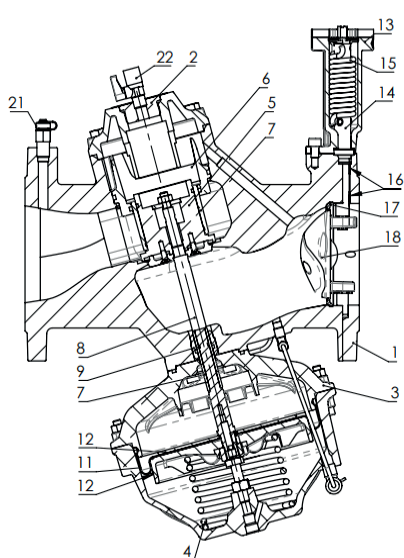
Max pressure: 16 Bar
 Working temp: -10°C to +120°C
 Max Differential Pressure: 400kPa



DN	65	80	100	125	150
A	290	310	350	400	480
H	213	222	232	280	309
H1	217	281	295	317	341
B	200	242	242	242	242
S	14.8	14.8	14.8	14.8	14.8
J	15	15	15	28	28
G	17	25	30	46	56
Flanges	PN10/16	PN10/16	PN10/16	PN10/16	PN10/16
C	185	200	220	250	285
F	145	160	180	210	240
n x D	4x18	8x18	8x18	8x18	8x22
L	129	129	140	140	140
M	28	28	33	33	33
P	85	85	93	93	93
Q	83	83	86	86	86
R	>100	>100	>100	>100	>100
Flow (l/s)	1.222-7.222	1.306-10	3.167-22.917	3.639-34.722	5.278-44.444
Min ΔP (kPa)	30 (50)	30 (50)	30 (70)	30 (70)	30 (70)
Kvs (M ³ /hr)	66.3	96.6	278	332.1	427.5
Kgs	23.3	29.8	35.3	48.1	77.1

ART 200

Pressure Independent Control & Balancing Valve (PICV or PIBCV)



N.	Part Name	Materials
1	Body	Cast Iron EN GJL 250
2	Ring Nut	Brass CW617N
3	Spring Housing	Aluminium
4	Spring	Stainless Steel A2
5	Shutter	Brass CW617N
6	Shutter Guide	Aluminium
7	Bushing	R-PTFE
8	Stem	Brass CW617N
9	Stem Guide	Brass CW617N
11	Membrane	EPDM
12	Membrane Bearing Plates	Aluminium & Stainless Steel AISI 304
13	Drive Device Stand	Aluminium
14	Stem	Brass CW617N
15	Overtorque Preventing Spring	Spring Steel 2FD
16	Bushing	Stainless Steel + PTFE
17	Disc Seat	Stainless Steel AISI 304
18	Regulating Disc	Brass CW617N
19	O-Ring & Seals	EPDM
20	Bolts and Nuts	Stainless Steel A2
21	Test Plug	Brass / Nickel Plated
22	Air Purge Valve	Brass / Nickel Plated
23	Fittings	Brass / Nickel Plated
24	Capillary Pipe	Copper
25	Regulating Disc Travel Stop DN100-150	Stainless Steel AISI 304