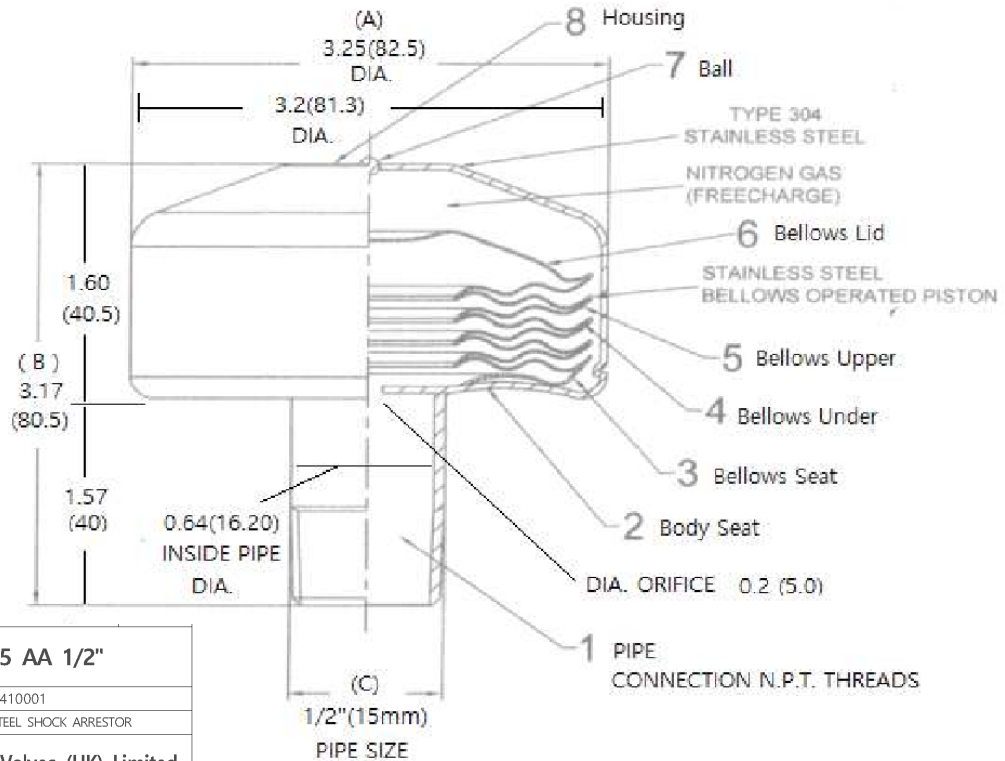


# WATER HAMMER ARRESTER CERTIFICATE



This is to certify that Water Hammer Arrester, Model No. ART 1325 AA 1/2", manufactured by, or for Albion Valves Limited (UK), which conforms to the drawings and dimensions illustrated herein, has been certified by the Plumbing and Drainage Institute, Inc., 800 Turnpike Street, Suite 300, North Andover, MA. 01845, as of this date in accordance with the certification procedure established by the Plumbing and Drainage Institute, in P.D.I. Standard WH-201, for size AA Water Hammer Arresters. It is further certified that when such arrester was performance tested on a 1/2 inch pipe line of fifty feet effective length, flow pressure of 60 P.S.I.G. and surge pressure of 340 P.S.I.G. (400 P.S.I.G. maximum total pressure), such arrester limited the total pressure created by sudden valve closure to 150 P.S.I.G. maximum which is the acceptable limit in such Standard.

The results of tests or conformance inspections conducted on this unit are applicable to this unit only. Use of this data and/or reference to the Plumbing and Drainage Institute in connection with purported certification by any other means than certification as described in the applicable standard constitute a breach of the relevant certification Mark License Agreement with the Plumbing and Drainage Institute.



SCALE	UNIT	MODEL NO.
1:1	MM	ART 1325 AA 1/2"
3 <sup>RD</sup> ANGEL PROJECTION		DWG. NO. AB-0410001
DATE	2017.06.07	TYPE STAINLESS STEEL SHOCK ARRESTOR
DRWN	DSND	CHKD
		APPD
Albion Valves (UK) Limited		

NO	DATE	REVISION
△	2019. 03. 26	REVISED DATA
△	2024. 04. 24	ORIFICE DIAMETER DETAILS

(Drawing, dimensions and description)

The statements made herein are certified to be true and correct representations of the model certified by PDI.

Name Mat Weiss Title Executive Director

Certification Date June 20, 2024 Report No 80216242-0

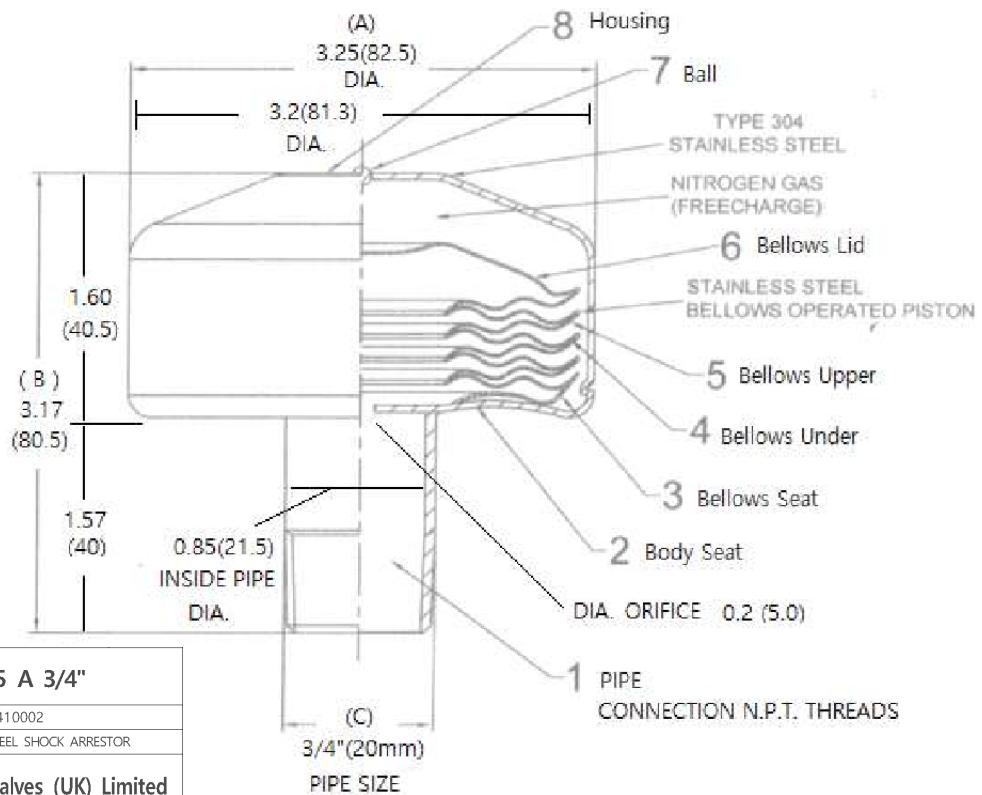
Certification Expiration Date June 20, 2029

# WATER HAMMER ARRESTER CERTIFICATE



This is to certify that Water Hammer Arrester, Model No. ART 1325 A 3/4", manufactured by, or for Albion Valves Limited (UK), which conforms to the drawings and dimensions illustrated herein, has been certified by the Plumbing and Drainage Institute, Inc., 800 Turnpike Street, Suite 300, North Andover, MA. 01845, as of this date in accordance with the certification procedure established by the Plumbing and Drainage Institute, in P.D.I. Standard WH-201, for size A Water Hammer Arresters. It is further certified that when such arrester was performance tested on a 1/2 inch pipe line of fifty feet effective length, flow pressure of 60 P.S.I.G. and surge pressure of 340 P.S.I.G. (400 P.S.I.G. maximum total pressure), such arrester limited the total pressure created by sudden valve closure to 150 P.S.I.G. maximum which is the acceptable limit in such Standard.

The results of tests or conformance inspections conducted on this unit are applicable to this unit only. Use of this data and/or reference to the Plumbing and Drainage Institute in connection with purported certification by any other means than certification as described in the applicable standard constitute a breach of the relevant certification Mark License Agreement with the Plumbing and Drainage Institute.



SCALE	UNIT	MODEL NO
1:1	MM	ART 1325 A 3/4"
3 <sup>RD</sup> ANGEL PROJECTION		DWG. NO. AB-0410002
DATE	TYPE	
2017.06.07	STAINLESS STEEL SHOCK ARRESTOR	
DRWN	DSND	CHKD
		APPD
Albion Valves (UK) Limited		

NO.	DATE	REVISION
△	2019. 03. 26	REVISED DATA
△	2024. 04. 24	ORIFICE DIAMETER DETAILS

(Drawing, dimensions and description)

The statements made herein are certified to be true and correct representations of the model certified by PDI.

Name Mat Weiss Title Executive Director

Certification Date June 20, 2024 Report No 80216242-1

Certification Expiration Date June 20, 2029

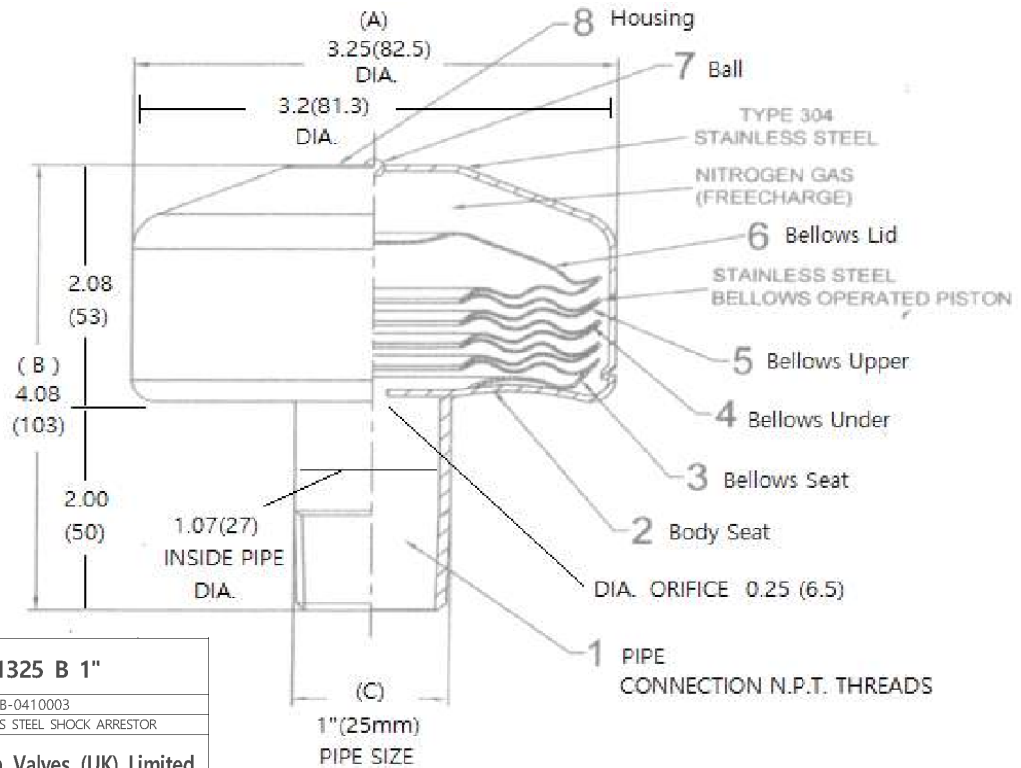


# WATER HAMMER ARRESTER CERTIFICATE



This is to certify that Water Hammer Arrester, Model No. ART 1325 B 1", manufactured by, or for Albion Valves Limited (UK), which conforms to the drawings and dimensions illustrated herein, has been certified by the Plumbing and Drainage Institute, Inc., 800 Turnpike Street, Suite 300, North Andover, MA. 01845, as of this date in accordance with the certification procedure established by the Plumbing and Drainage Institute, in P.D.I. Standard WH-201, for size B Water Hammer Arresters. It is further certified that when such arrester was performance tested on a 3/4 inch pipe line of fifty feet effective length, flow pressure of 60 P.S.I.G. and surge pressure of 340 P.S.I.G. (400 P.S.I.G. maximum total pressure), such arrester limited the total pressure created by sudden valve closure to 150 P.S.I.G. maximum which is the acceptable limit in such Standard.

The results of tests or conformance inspections conducted on this unit are applicable to this unit only. Use of this data and/or reference to the Plumbing and Drainage Institute in connection with purported certification by any other means than certification as described in the applicable standard constitute a breach of the relevant certification Mark License Agreement with the Plumbing and Drainage Institute.



SCALE	UNIT	MODEL NO.
1:1	MM	ART 1325 B 1"
3 <sup>RD</sup> ANGLE PROJECTION	DWG. NO.	AB-0410003
DATE 2017.06.07	TYPE	STAINLESS STEEL SHOCK ARRESTOR
DRWN DSND CHKD	APPD	
Albion Valves (UK) Limited		

NO.	DATE	REVISION
△	2019. 03. 26	REVISED DATA
△	2024. 04. 24	ORIFICE DIAMETER DETAILS

(Drawing, dimensions and description)

The statements made herein are certified to be true and correct representations of the model certified by PDI.

Name Mat Weiss Title Executive Director

Certification Date June 20, 2024 Report No 80216242-2

Certification Expiration Date June 20, 2029

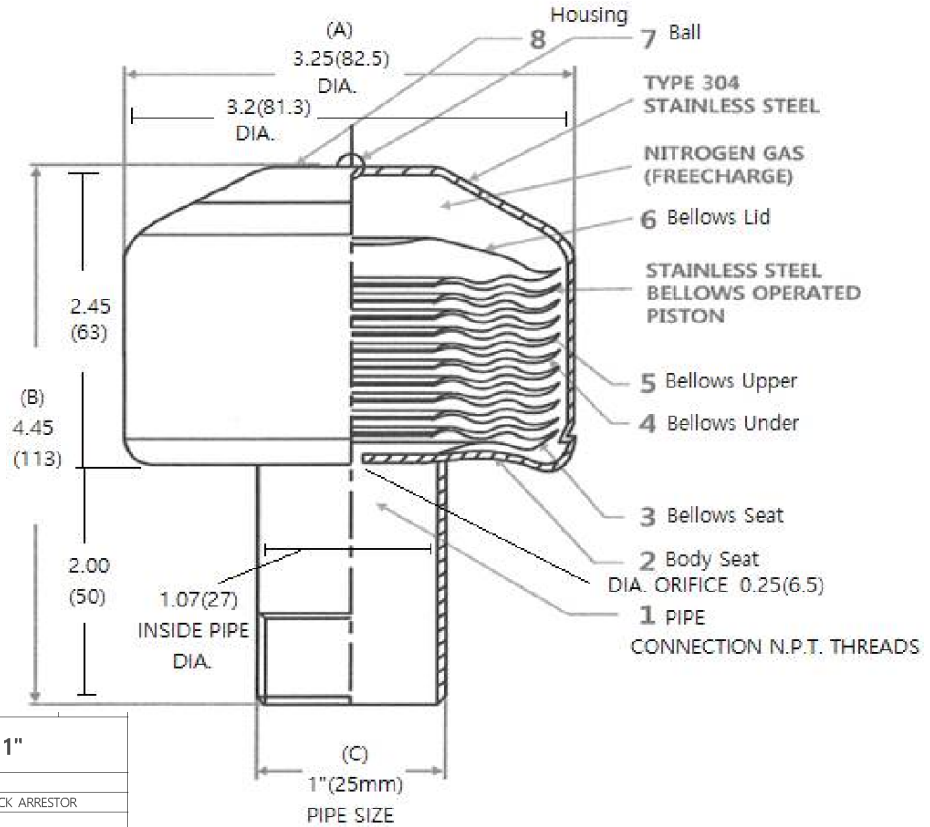


# WATER HAMMER ARRESTER CERTIFICATE



This is to certify that Water Hammer Arrester, Model No. ART 1325 C 1", manufactured by, or for Albion Valves Limited (UK), which conforms to the drawings and dimensions illustrated herein, has been certified by the Plumbing and Drainage Institute, Inc., 800 Turnpike Street, Suite 300, North Andover, MA. 01845, as of this date in accordance with the certification procedure established by the Plumbing and Drainage Institute, in P.D.I. Standard WH-201, for size C Water Hammer Arresters. It is further certified that when such arrester was performance tested on a 1 inch pipe line of fifty feet effective length, flow pressure of 60 P.S.I.G. and surge pressure of 340 P.S.I.G. (400 P.S.I.G. maximum total pressure), such arrester limited the total pressure created by sudden valve closure to 150 P.S.I.G. maximum which is the acceptable limit in such Standard.

The results of tests or conformance inspections conducted on this unit are applicable to this unit only. Use of this data and/or reference to the Plumbing and Drainage Institute in connection with purported certification by any other means than certification as described in the applicable standard constitute a breach of the relevant certification Mark License Agreement with the Plumbing and Drainage Institute.



NO.	DATE	REVISION
△	2019. 03. 26	REVISED DATA
△	2024. 04. 24	ORIFICE DIAMETER DETAILS REVISED DATA

SCALE	UNIT	MODEL NO.	<b>ART 1325 C 1"</b>
1:1	MM		
3 <sup>RD</sup> ANGEL PROJECTION	DWG. NO.	AB-0410004	
DATE	2017.06.07	TYPE STAINLESS STEEL SHOCK ARRESTOR	
DRWN	DSND	CHKD	APPD
Albion Valves (UK) Limited			

(Drawing, dimensions and description)

The statements made herein are certified to be true and correct representations of the model certified by PDI.

Name Mat Weiss Title Executive Director

Certification Date June 20, 2024 Report No. 80216242-3

Certification Expiration Date June 20, 2029

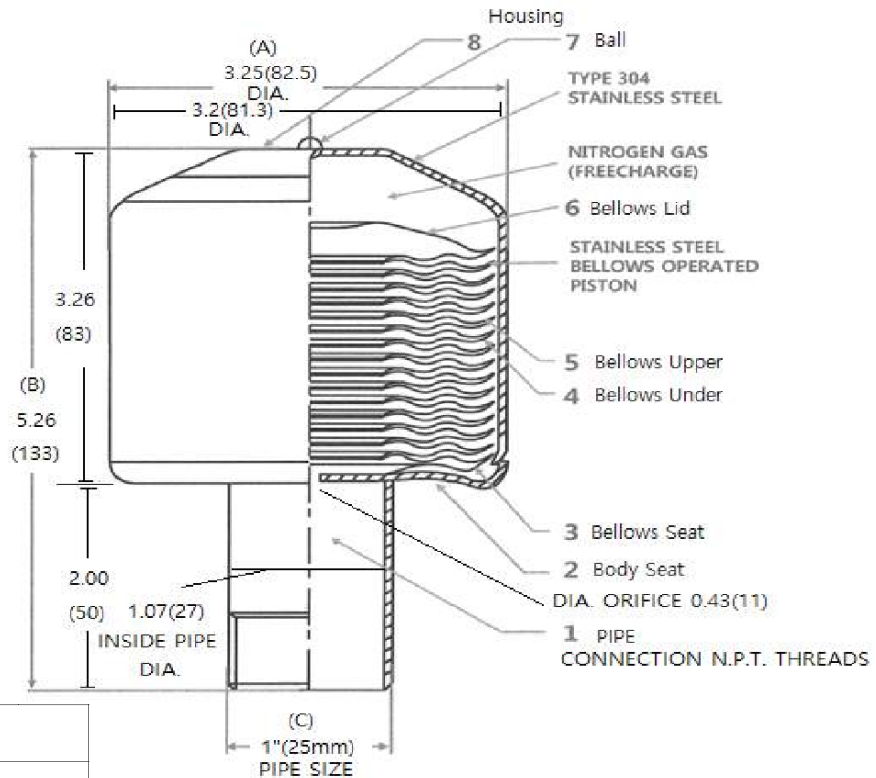


# WATER HAMMER ARRESTER CERTIFICATE



This is to certify that Water Hammer Arrester, Model No. ART 1325 D 1", manufactured by, or for Albion Valves Limited (UK), which conforms to the drawings and dimensions illustrated herein, has been certified by the Plumbing and Drainage Institute, Inc., 800 Turnpike Street, Suite 300, North Andover, MA. 01845, as of this date in accordance with the certification procedure established by the Plumbing and Drainage Institute, in P.D.I. Standard WH-201, for size D Water Hammer Arresters. It is further certified that when such arrester was performance tested on a 1 - 1/4 inch pipe line of fifty feet effective length, flow pressure of 60 P.S.I.G. and surge pressure of 340 P.S.I.G. (400 P.S.I.G. maximum total pressure), such arrester limited the total pressure created by sudden valve closure to 150 P.S.I.G. maximum which is the acceptable limit in such Standard.

The results of tests or conformance inspections conducted on this unit are applicable to this unit only. Use of this data and/or reference to the Plumbing and Drainage Institute in connection with purported certification by any other means than certification as described in the applicable standard constitute a breach of the relevant certification Mark License Agreement with the Plumbing and Drainage Institute.



NO.	DATE	REVISION
△	2019. 03. 26	REVISED DATA
△	2024. 04. 24	ORIFICE DIAMETER DETAILS REVISED DATA

SCALE	UNIT	MODEL NO.
1:1	MM	ART 1325 D 1"
3 <sup>RD</sup> ANGEL PROJECTION	DWG. NO.	AB-0410005
DATE	2017.06.07	TYPE
DRWN	DSND	CHKD
APPD	Albion Valves (UK) Limited	

(Drawing, dimensions and description)

The statements made herein are certified to be true and correct representations of the model certified by PDI.

Name Mat Weiss Title Executive Director

Certification Date June 20, 2024 Report No 80216242-4

Certification Expiration Date June 20, 2029

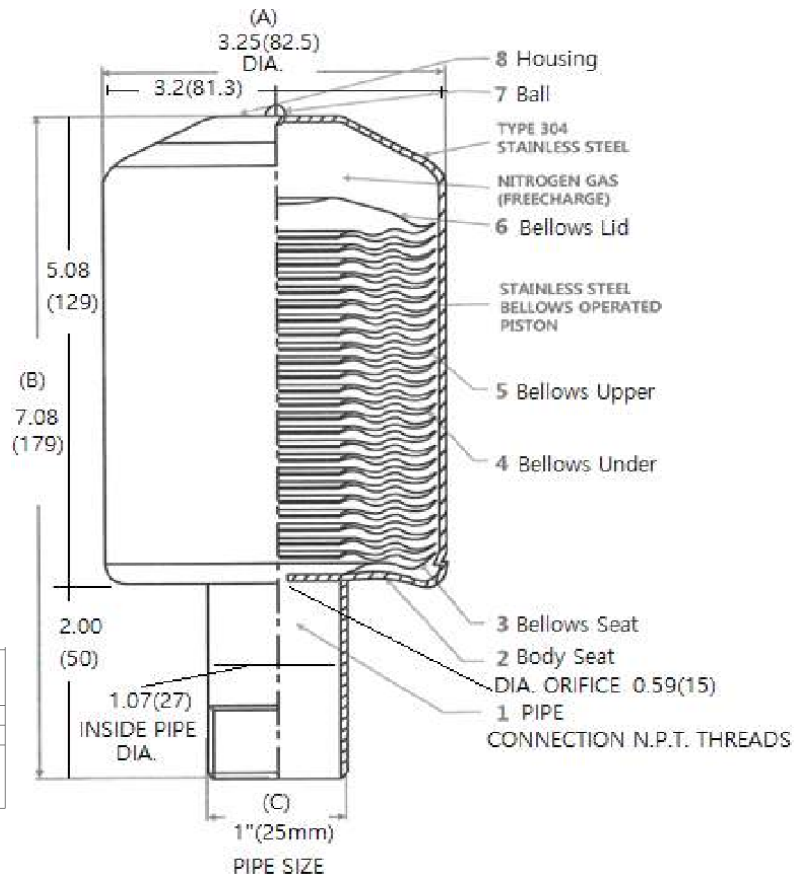


# WATER HAMMER ARRESTER CERTIFICATE



This is to certify that Water Hammer Arrester, Model No. ART 1325 E 1", manufactured by, or for Albion Valves Limited (UK), which conforms to the drawings and dimensions illustrated herein, has been certified by the Plumbing and Drainage Institute, Inc., 800 Turnpike Street, Suite 300, North Andover, MA. 01845, as of this date in accordance with the certification procedure established by the Plumbing and Drainage Institute, in P.D.I. Standard WH-201, for size E Water Hammer Arresters. It is further certified that when such arrester was performance tested on a 1 - 1/2 inch pipe line of fifty feet effective length, flow pressure of 60 P.S.I.G. and surge pressure of 340 P.S.I.G. (400 P.S.I.G. maximum total pressure), such arrester limited the total pressure created by sudden valve closure to 150 P.S.I.G. maximum which is the acceptable limit in such Standard.

The results of tests or conformance inspections conducted on this unit are applicable to this unit only. Use of this data and/or reference to the Plumbing and Drainage Institute in connection with purported certification by any other means than certification as described in the applicable standard constitute a breach of the relevant certification Mark License Agreement with the Plumbing and Drainage Institute.



SCALE	UNIT	MODEL NO.
1:1	MM	ART 1325 E 1"
3 <sup>RD</sup> ANGEL PROJECTION	DWG. NO.	AB-0410006
DATE 2017.06.07	TYPE	STAINLESS STEEL SHOCK ARRESTER
DRWN	DSND	CHKD
		APPD
Albion Valves (UK) Limited		

NO.	DATE	REVISION
△	2019. 03. 26	REVISED DATA
△	2024. 04. 24	ORIFICE DIAMETER DETAILS REVISED DATA

(Drawing, dimensions and description)

The statements made herein are certified to be true and correct representations of the model certified by PDI.

Name Mat Weiss Title Executive Director

Certification Date June 20, 2024 Report No. 80216242-5

Certification Expiration Date June 20, 2029

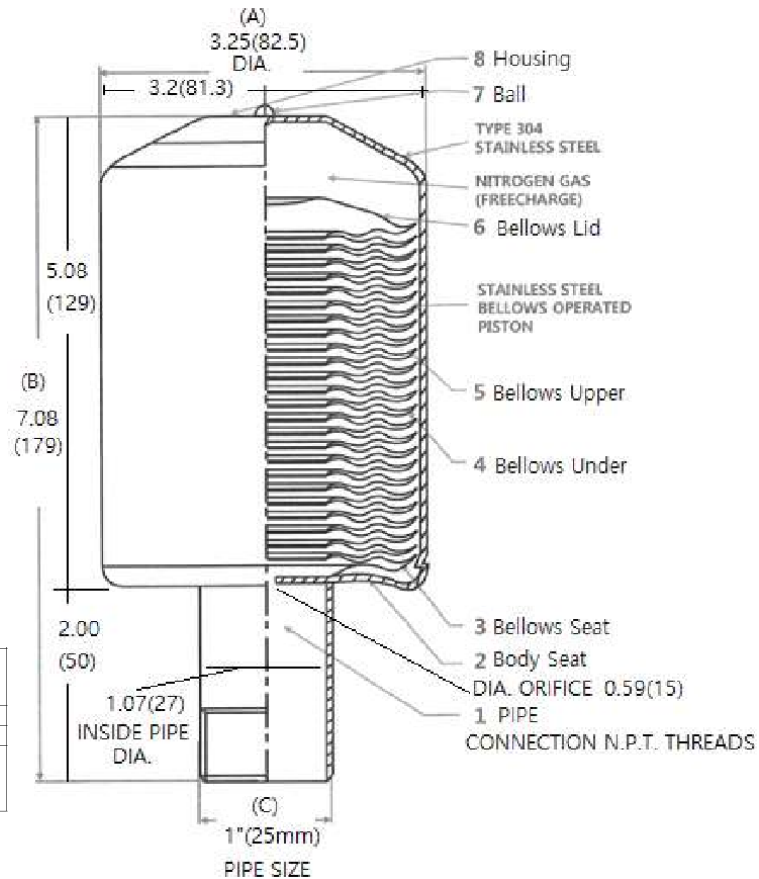


# WATER HAMMER ARRESTER CERTIFICATE



This is to certify that Water Hammer Arrester, Model No. ART 1325 F 1", manufactured by, or for Albion Valves Limited (UK), which conforms to the drawings and dimensions illustrated herein, has been certified by the Plumbing and Drainage Institute, Inc., 800 Turnpike Street, Suite 300, North Andover, MA. 01845, as of this date in accordance with the certification procedure established by the Plumbing and Drainage Institute, in P.D.I. Standard WH-201, for size F Water Hammer Arresters. It is further certified that when such arrester was performance tested on a 2 inch pipe line of fifty feet effective length, flow pressure of 60 P.S.I.G. and surge pressure of 340 P.S.I.G. (400 P.S.I.G. maximum total pressure), such arrester limited the total pressure created by sudden valve closure to 150 P.S.I.G. maximum which is the acceptable limit in such Standard.

The results of tests or conformance inspections conducted on this unit are applicable to this unit only. Use of this data and/or reference to the Plumbing and Drainage Institute in connection with purported certification by any other means than certification as described in the applicable standard constitute a breach of the relevant certification Mark License Agreement with the Plumbing and Drainage Institute.



SCALE 1:1	UNIT MM	MODEL NO. <b>ART 1325 F 1"</b>
3 <sup>RD</sup> ANGEL PROJECTION	DWG. NO. AB-0410007	
DATE 2017.06.07	TYPE STAINLESS STEEL SHOCK ARRESTOR	
DRWN	DSND	CHKD
APPD <b>Albion Valves (UK) Limited</b>		

NO.	DATE	REVISION
△	2019. 03. 26	REVISED DATA
△	2024. 04. 24	ORIFICE DIAMETER DETAILS REVISED DATA

(Drawing, dimensions and description)

The statements made herein are certified to be true and correct representations of the model certified by PDI.

Name Mat Weiss Title Executive Director

Certification Date June 20, 2024 Report No 80216242-6

Certification Expiration Date June 20, 2029