

ART 50 97X

PN40 DZR Brass Ball Valve

complete with Thermal Extension



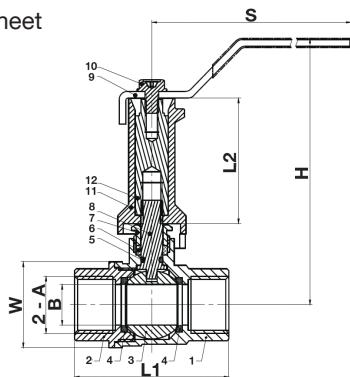
Features

- Screwed BSP Taper ends (ISO 7/1) or NPT (ANSI B1.20.1)
- Anti-blow-out stem
- Full bore
- Standard lever, locking lever and tee handles (1/4" to 1" only) options also available
- For details on handles refer to the Ball Valve Accessory datasheet

Technical data

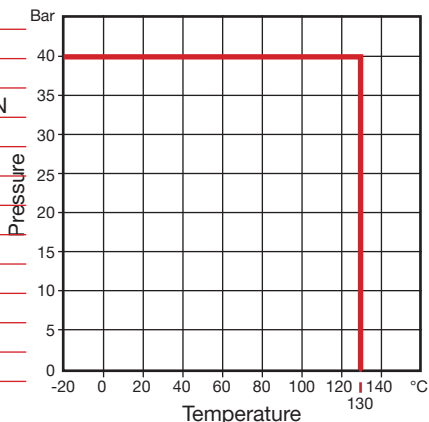
Max pressure: 40 Bar

Working temp: -20°C to 130°C



	A	1/2"	3/4"	1"	1 1/4"	1 1/2"	2"
B		14.5	19.0	24.5	31.5	40.0	49.0
L1		57	67	77	88	99	121
W		31.5	36.5	44.0	56.5	68.0	82.0
L2		46	46	46	51	51	54
H		94	97	108	132	141	150
S		88	100	125	140	140	165
Kv		16	30	48	100	170	230
Kgs		0.31	0.40	0.60	0.97	1.28	1.88

No.	Part Name	Materials
1	Body	Brass / Nickel Plated CW617N
2	Bonnet	Brass / Nickel Plated CW617N
3	Ball	Brass / Chrome Plated CW617N
4	Ball Seat	PTFE
5	O-Ring	NBR
6	Packing	PTFE
7	Nut	Brass
8	Stem	Brass
9	Handle	Steel / PVC Coated Q235
10	Screw	Steel Q235 Nickel Plated
11	Extended Sleeve	Brass Nickel Plated
12	Extended Stem	Brass



V1. Dimensions in mm

This data sheet is designed as a guide and should not be regarded as wholly accurate in every detail. We reserve the right to amend the specification of any product without notice.