

ART 150 DN50-150

Ductile Iron Butterfly Valve

Double Flanged



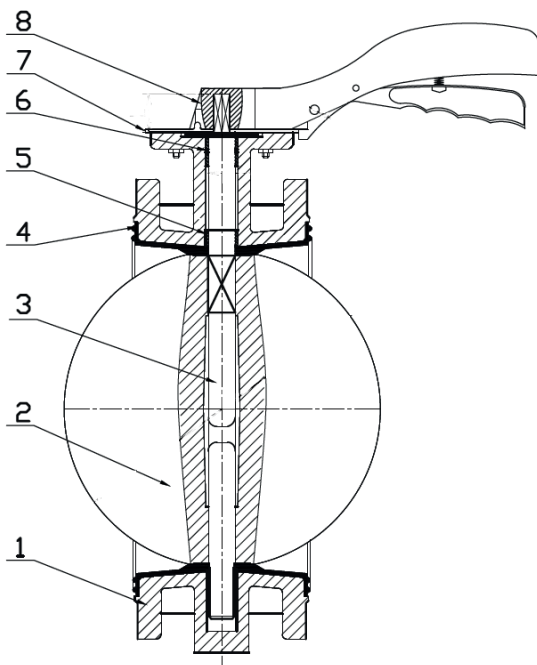
Features

- Flange mounting PN16 only
- BS5155 (BS EN 593)
- ISO 5211 direct mount
- BS EN558-1 Series 13
- Epoxy coat finish
- Lockable handle
- Vulcanised EPDM Liner

Technical data

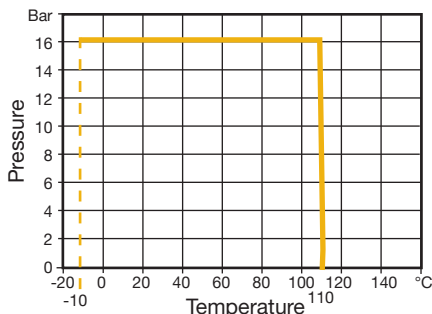
Max pressure: 16 Bar

Working temp: -10°C to +110°C



N. Part Name Materials

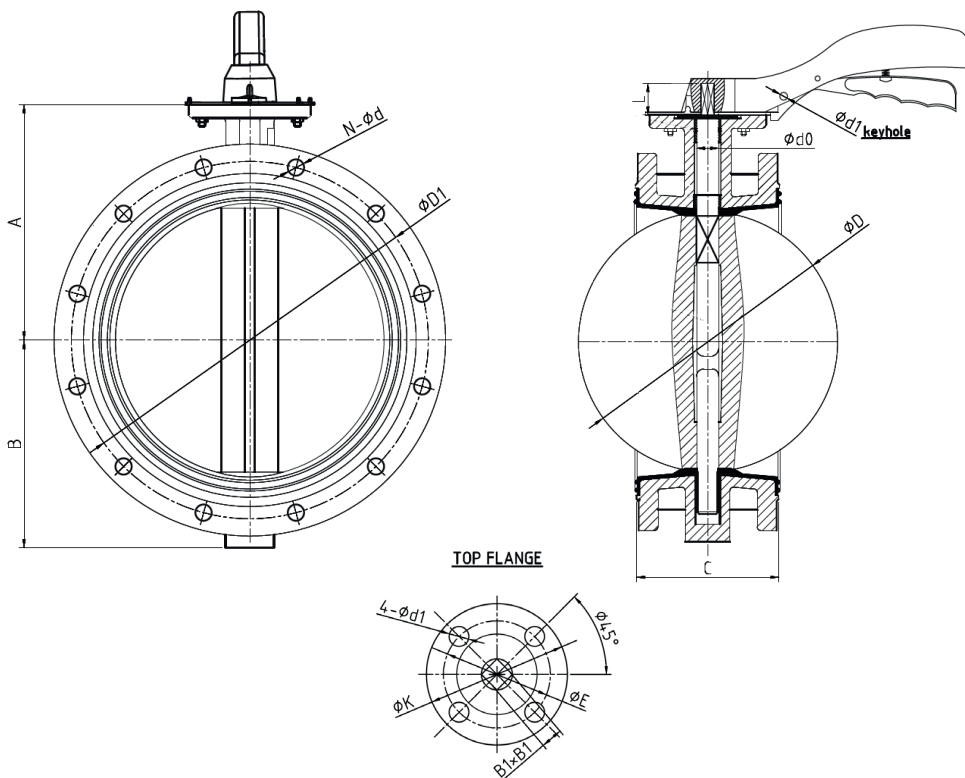
1	Body	EN GJS 400-15
2	Disc	CF8M
3	Shaft	Stainless Steel 420
4	Seat	EPDM
5	Bushing	PTFE
6	O-Ring	NBR
7	Lever	Aluminium
8	Indicator	Carbon Steel



ART 150 DN50-150

Ductile Iron Butterfly Valve

Double Flanged



DN	50	65	80	100	125	150
A	140	130	145	155	170	190
B	83	93	100	114	125	143
C	108	112	114	127	140	140
D	52.9	64.5	78.8	104	123.3	155.1
d0	12.6	12.6	12.6	15.8	18.9	18.9
B1	9	9	9	11	14	14
L	26	26	26	27	27	27
D1	125	145	160	180	210	240
N-Ød	4-19	4-19	8-19	8-19	8-19	8-23
α°	90	90	45	45	45	45
ISO 5211	F05	F05	F05	F07	F07	F07
ØK	65	65	65	90	90	90
ØE	50	50	50	70	70	70
4-Ød1	4-7	4-7	4-7	4-10	4-10	4-10
S	170	170	170	215	215	215
d1	6	6	6	6	6	6
Torque	15	17	23	41	65	105
Kv	90.97	191.44	360.93	892.66	995.29	1705.87
Kgs	6.6	9.4	9.8	12.0	16.0	19.2