

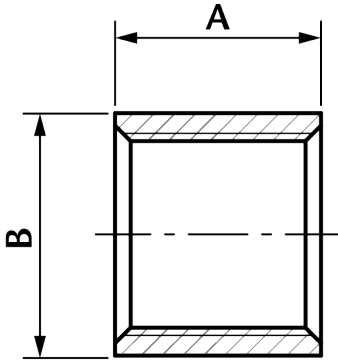
HS

Half Socket OD Machined

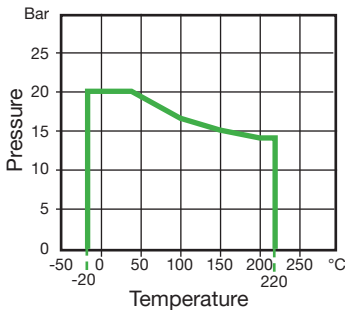


Features

- Made from CF3M (316L) Stainless Steel material and conform to ISO 4144 standard.
- Threads are to BSP Parallel (ISO 7/1) or NPT (ANSI B1.20.1).
- Material certificates available on request.
- Tested & inspected prior to despatch.
- 12 month warranty from date of installation.
- Manufactured in accordance with ISO9001:2015 quality system.



DN	A	B	Kgs
1/8"	9.0	13.5	0.005
1/4"	13.0	16.7	0.011
3/8"	13.0	20.4	0.014
1/2"	16.0	24.9	0.022
3/4"	18.0	30.0	0.036
1"	21.0	37.8	0.052
1 1/4"	23.5	47.0	0.086
1 1/2"	23.5	53.0	0.098
2"	27.5	65.7	0.152
2 1/2"	31.5	82.0	0.25
3"	34.5	95.8	0.367
4"	40.5	121.5	0.533



Temperature (°C)	Non-shock maximum working pressure (bar)
-20 to 40	20
100	16.5
150	15
200	14
220	13.5

- NOTE 1 Pressure for intermediate temperatures may be determined by the interpolation method.
- NOTE 2 Temperatures indicated are those of internal fluid.
- NOTE 3 Piping loads, stresses and moments are not taken into account.