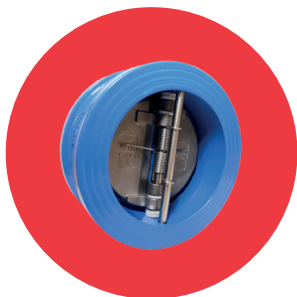


# ART 121 PN25

## PN25 Cast Iron Dual Plate Wafer Check Valve

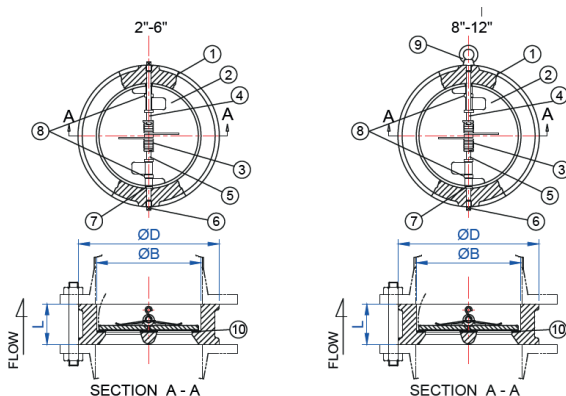


### Features

- Flange mounting to suit BS EN1092-2 PN25
- Conforms to BS EN558-1 Series 16
- Fusion Bonded Epoxy coat finish

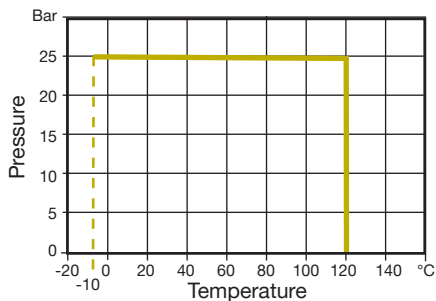
### Technical data

Max pressure: 25 Bar  
Working temp: -10°C to +120°C



DN	50	65	80	100	125	150	200	250	300
D	107	127	142	162	192	222	282	339	399
B	65	80	94	117	145	170	224	267	312
L	43	46	64	64	70	76	89	114	114
Kv	63	109	172	289	476	750	1432	1935	3676
Kgs	1.76	2.42	3.63	4.73	6.60	8.80	15.62	24.75	36.41

N.	Part Name	Materials
1	Body	Ductile Iron EN-GJS-400-15
2	Plate	Stainless Steel CF8M
3	Spring	Stainless Steel 316
4	Hinge Pin	Stainless Steel 316
5	Stop Pin	Stainless Steel 316
6	Plug	Carbon Steel
7	Body Bearing	PTFE
8	Spring Bearing	PTFE
9	Eye Bolt	Carbon Steel
10	Body Seat	EPDM



V1. Dimensions in mm

This data sheet is designed as a guide and should not be regarded as wholly accurate in every detail. We reserve the right to amend the specification of any product without notice.