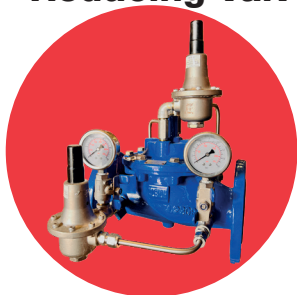


ART 6800 ANSI

ANSI Adjustable Pressure Reducing Valve with Low Flow Bypass



Features

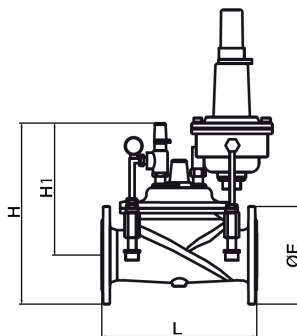
- Automatic Control Valve
- Suitable for potable water applications
- Pressure adjusted by integral pilot valve
- Conforms to BS EN558-1 Series 1
- Flange conforms to ANSI 150 (B16.42)
- Available flanged ANSI Class 150
- Stainless Steel pilot tubing and valves
- Fully WRAS Approved valve - Cert No. 2105035



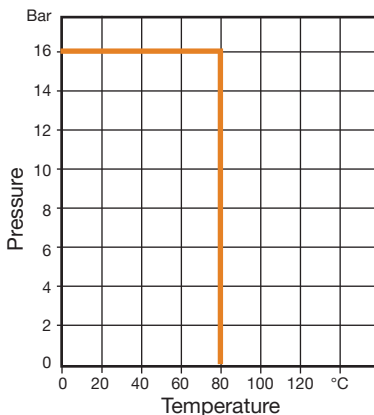
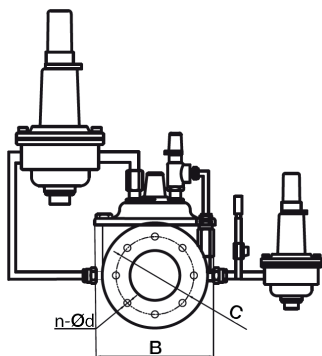
Technical data

Max pressure: 16 Bar

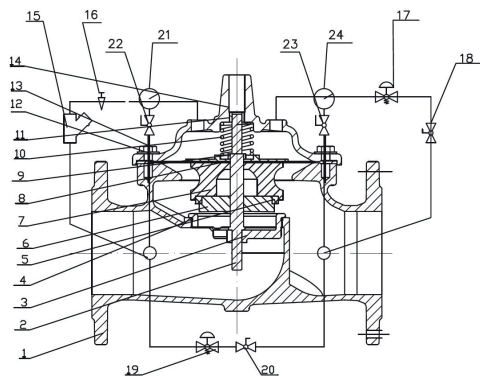
Working temp: 0°C to +80°C



DN	50	65	80	100	125	150	200	250	300
L	230	290	310	350	400	480	600	730	850
E	152.4	177.8	190.5	228.6	254.0	279.4	342.9	406.4	482.6
C	120.7	139.7	152.4	190.5	215.9	241.3	298.5	362.0	431.8
n-Ød	4-19	4-19	4-19	8-19	8-22.4	8-22.4	8-22.4	12-25.4	12-25.4
B	365	375	383	393	405	422	448	478	605
H	482	505	520	540	570	605	660	725	780
H1	350	413	420	430	445	463	490	523	550
Kgs	13	17	23	30	65	69	132	315	420

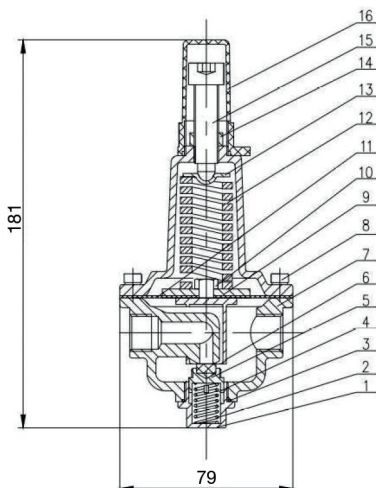


ART 6800 ANSI



N.	Part Name	Materials
1	Body	Ductile Iron
2	Stem	Stainless Steel 304
3	Seat	Stainless Steel 304
4	O-Ring	NBR
5	Disc Ring	NBR
6	Disc Retainer	Ductile Iron
7	Disc Guide	Ductile Iron
8	Diaphragm	EPDM
9	Diaphragm Washer	Ductile Iron
10	Spring	Stainless Steel 304
11	Cover Bearing	Stainless Steel 304
12	Screw	Stainless Steel 304
13	Washer	Stainless Steel 304
14	Cover	Ductile Iron
15	Strainer	Stainless Steel 304
16	Needle Valve	Stainless Steel 304
17	Pilot Valve	Stainless Steel 304
18	Ball Valve	Stainless Steel 304
19	Low Bypass Pilot Valve	Stainless Steel 304
20	Mini Ball Valve	Stainless Steel 304
21	Pressure Gauge	Stainless Steel 304
22	Mini Ball Valve	Stainless Steel 304
23	Mini Ball Valve	Stainless Steel 304
24	Pressure Gauge	Stainless Steel 304

Pilot Valve Detail - ART 6250

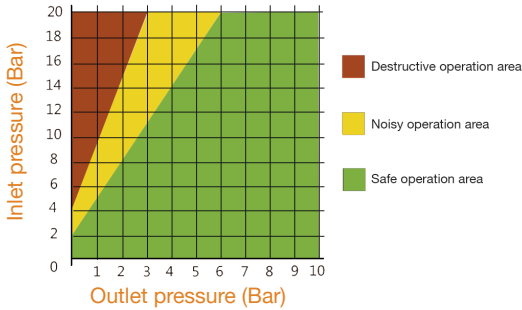


N.	Part Name	Materials
1	Plug	Stainless Steel 304
2	Spring	Stainless Steel 304
3	O-Ring	NBR
4	Seat	Stainless Steel 304
5	Disc	NBR
6	Yoke	Stainless Steel 304
7	Body	Stainless Steel 304
8	Screw	Stainless Steel 304
9	Diaphragm Washer	Stainless Steel 304
10	Nut	Stainless Steel 304
11	Diaphragm	EPDM
12	Spring	Stainless Steel 304
13	Spring Holder	Stainless Steel 304
14	Locking Nut	Stainless Steel 304
15	Adjusting Screw	Stainless Steel 304
16	Cap	ABS

Fitted with standard Pilot Valve
2.10 to 20.00 Bar (30 to 300 PSI)
Factory set to 2.50 Bar (36 PSI)

Low Flow Bypass Range
1.37 to 12.00 Bar (20 to 175 PSI)

Cavitation Chart



Flow Volume vs Velocity (water)

Size DN	Volume m3/h													
	0.4 m/s	0.6 m/s	0.8 m/s	1.0 m/s	1.2 m/s	1.4 m/s	1.6 m/s	1.8 m/s	2.0 m/s	2.2 m/s	2.4 m/s	2.6 m/s	2.8 m/s	3.0 m/s
50	2.8	4.2	5.7	7.1	8.5	9.9	11.3	12.7	14.1	15.6	17.0	18.4	19.8	21.2
65	4.8	7.2	9.6	11.9	14.3	16.7	19.1	21.5	23.9	26.3	28.7	31.1	33.4	35.8
80	7.2	10.9	14.5	18.1	21.7	25.3	29.0	32.6	36.2	39.8	43.4	47.0	50.7	54.3
100	11.3	17.0	22.6	28.3	33.9	39.6	45.2	50.9	56.5	62.2	67.9	73.5	79.2	84.8
125	17.7	26.5	35.3	44.2	53.0	61.9	70.7	79.5	88.4	97.2	106.0	114.9	123.7	132.5
150	25.4	38.2	50.9	63.6	76.3	89.1	101.8	114.5	127.2	140.0	152.7	165.4	178.1	190.9
200	45.2	67.9	90.5	113.1	135.7	158.3	181.0	203.6	226.2	248.8	271.4	294.1	316.7	339.3
250	70.7	106.0	141.4	176.7	212.1	247.4	282.7	318.1	353.4	388.8	424.1	459.5	494.8	530.1
300	101.8	152.7	203.6	254.5	305.4	356.3	407.1	458.0	508.9	559.8	610.7	661.6	712.5	763.4

Note; for good pressure control within the valves optimum flow rate, the pressure reducing valve should be sized on on a velocity of 1 to 2m/s.

Flow curve of the main valve at fully open status

