

# ART 163

## PN16 Ductile Iron Foot Valve

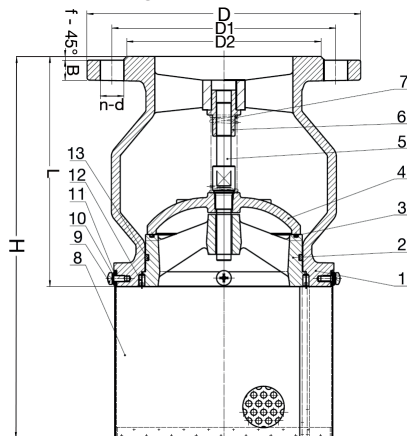


### Features

- Flange conforms to BS EN1092 PN16
- Valve design conforms to BS EN12334
- Valve inspection and testing in accordance with BS EN12266

### Technical data

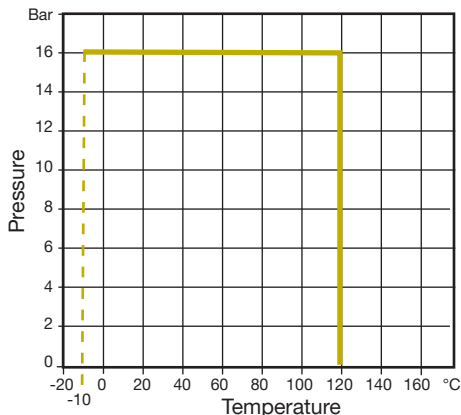
Max pressure: 16 Bar  
Working temp: -10°C to +120°C



DN	2"	2 1/2"	3"	4"	5"	6"	8"	10"	12"	14"	16"
L	133	140	152	185	216	230	259	362	393	400	448
H	204	236	263	326	382	422	470	602	683	720	808
D	165	185	200	220	250	285	340	405	460	520	580
D1	125	145	160	180	210	240	295	355	410	470	525
D2	99	118	132	156	184	211	266	319	370	429	480
B	19	19	19	19	19	19	20	22	24.5	26.5	28
f	3	3	3	3	3	3	3	3	4	4	4
n-d	4-19	4-19	8-19	8-19	8-19	8-23	12-23	12-28	12-28	16-28	16-31
Kgs	6.7	8.1	9.3	13.1	17.9	24.2	39.6	69	89.6	138.1	190.4

### N. Part Name Materials

1	Body	Ductile Iron BS EN1563 EN-GJS-450-10
2	Seat Body	Ductile Iron BS EN1563 EN-GJS-450-10
3	Seat	EPDM
4	Disc	Ductile Iron BS EN1563 EN-GJS-450-10
5	Stem	Stainless Steel BS970 304S15
6	Bushing	Brass BS2874 CZ122
7	Spring	Stainless Steel BS970 304S15
8	Screen	Stainless Steel BS970 304S15
9	Screw	Stainless Steel BS970 304S15
10	Washer	Stainless Steel BS970 304S15
11	Washer	Stainless Steel BS970 304S15
12	Screw	Stainless Steel BS970 304S15
13	Seat	EPDM



V1. Dimensions in mm

This data sheet is designed as a guide and should not be regarded as wholly accurate in every detail. We reserve the right to amend the specification of any product without notice.